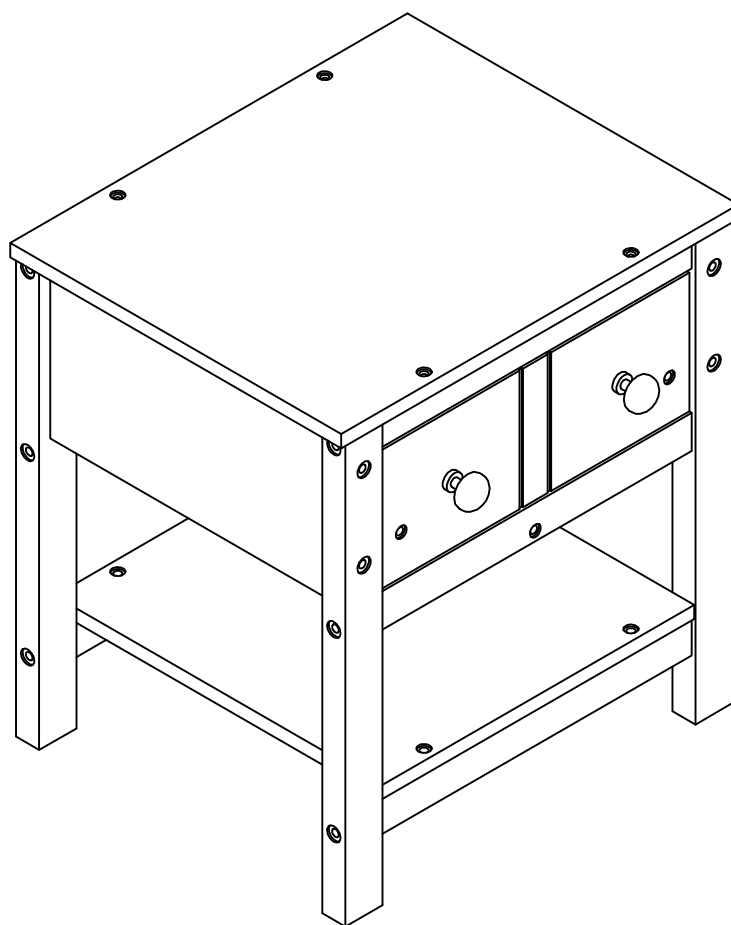


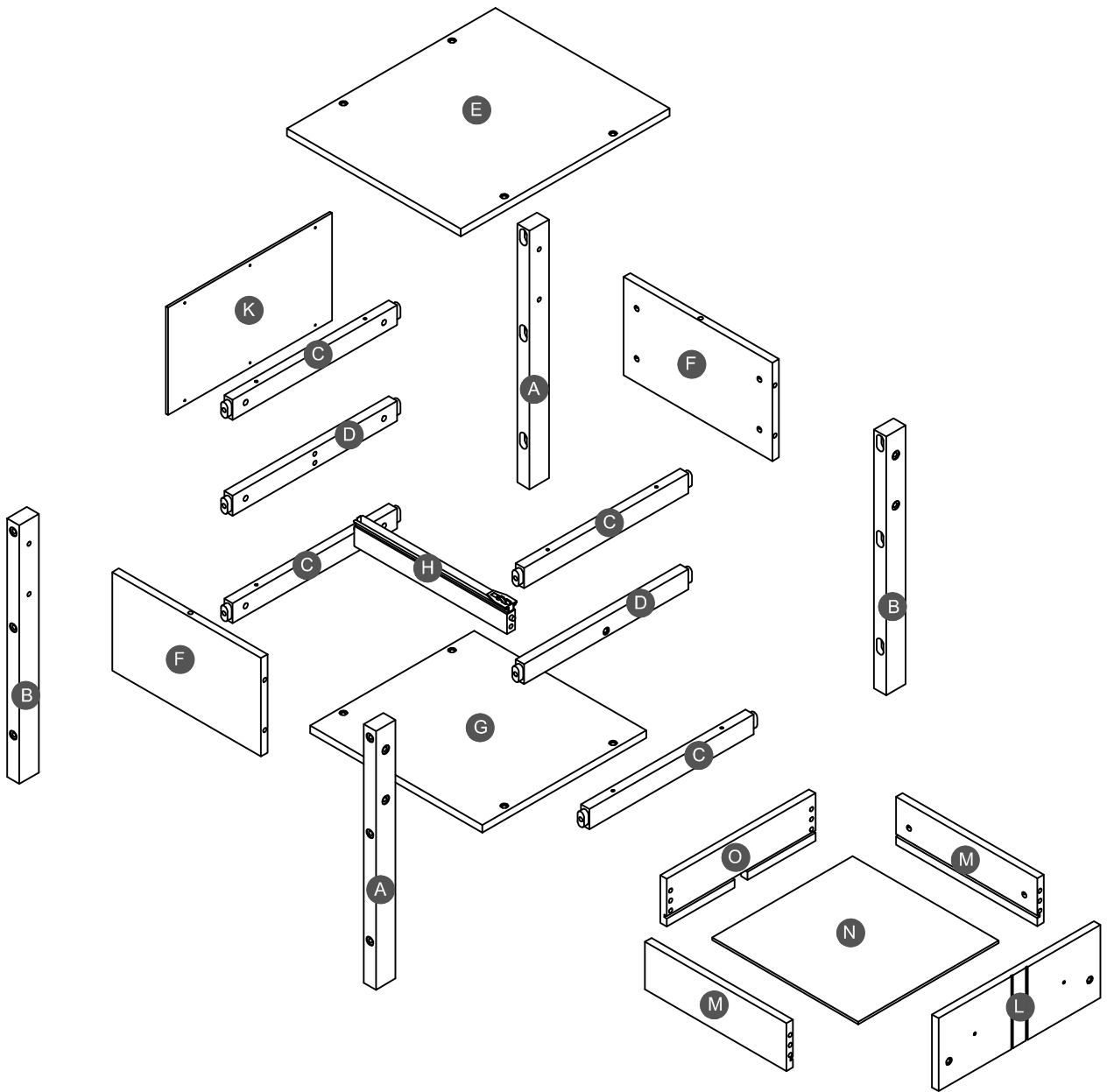
ASSEMBLY INSTRUCTIONS

NIGHT STAND



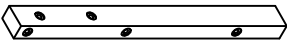

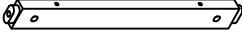
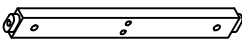
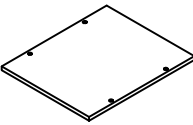

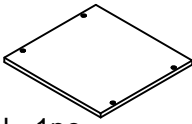

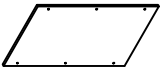

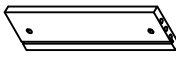
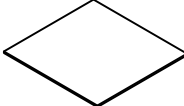

WF291344

Detail View


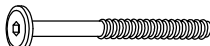

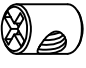






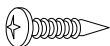


Part List

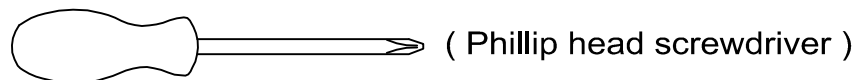
WF291344

<p>A</p>  <p>Leg left front / right back - 2pcs</p>	<p>B</p>  <p>Leg right front / left back - 2pcs</p>	<p>C</p>  <p>Horizontal bar - 4pcs</p>
<p>D</p>  <p>Horizontal bar - 2pcs</p>	<p>E</p>  <p>Top panel - 1pc</p>	<p>F</p>  <p>Side panel - 2pcs</p>
<p>G</p>  <p>Shelf panel - 1pc</p>	<p>H</p>  <p>Support drawer - 1pc</p>	<p>K</p>  <p>Back panel - 1pc</p>
<p>L</p>  <p>Front drawer panel - 1pc</p>	<p>M</p>  <p>Left / right drawer panel - 2pcs</p>	<p>N</p>  <p>Drawer bottom - 1pc</p>
<p>O</p>  <p>Back drawer panel - 1pc</p>		

Hardware List

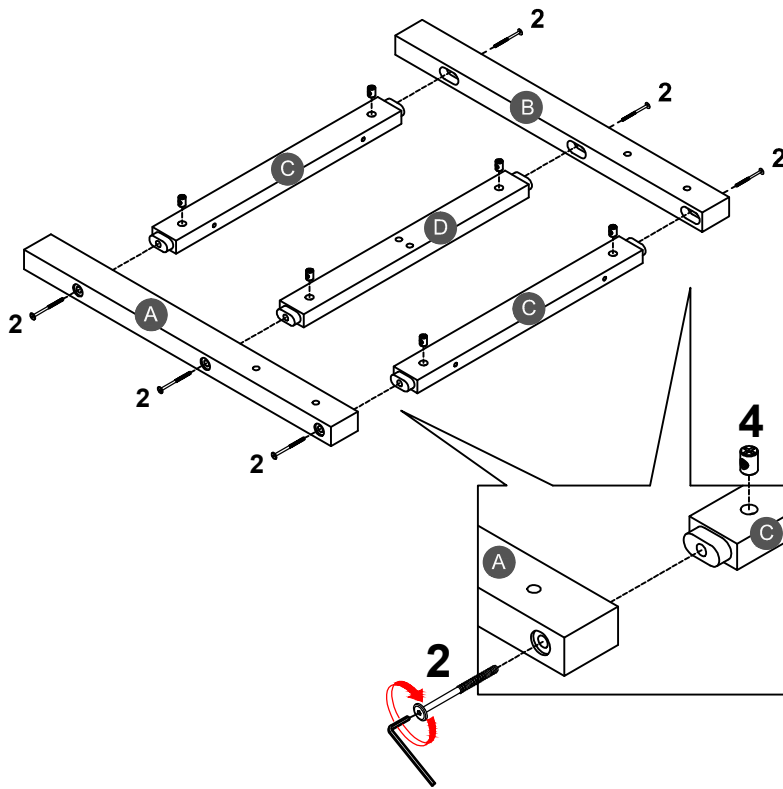
1  Ø8*30mm Wood dowel (10pcs)	2  (Ø15)1/4"*80mm Hex-Head bolts (20pcs)	3  (Ø15)1/4"*60mm Hex-Head bolts (6pcs)
4  1/4"*15 (9.5mm) Horizontal-Hole bolts(26pcs)	5  (Ø12)1/4"*40mm Hex-Head bolts (8pcs)	6  (1/4")4.5*58mm Allen key (1pc)
7  Ø3.5*12mm Wood screws (3pcs)	8  Ø38*31mm Pine Knob (2pcs)	9  3/16"*30mm Ph zinc(Knob) (2pcs)
10  340*30mm Upper slider drawer (1pc)	11  Ø3.5*15mm Wood screws (6pcs)	

ASSEMBLY TOOLS REQUIRED (NOT INCLUDED)



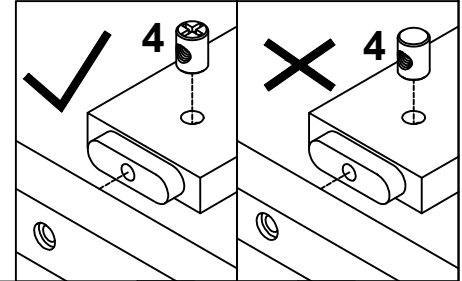
DO NOT USE POWER TOOLS TO ASSEMBLE THIS PRODUCT !

STEP 1:

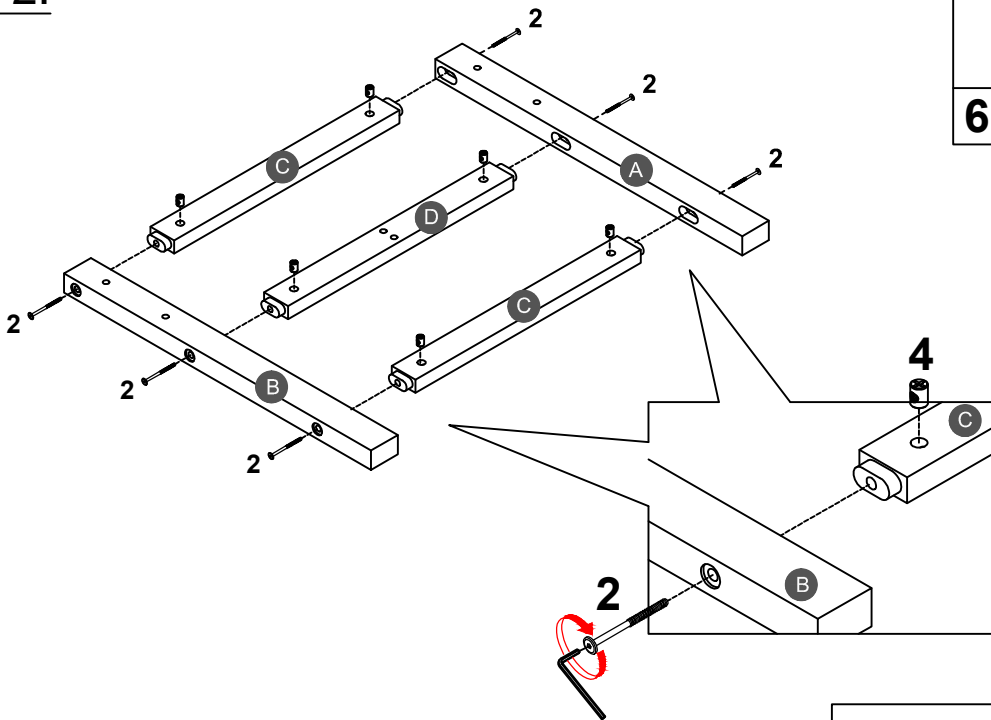


2	4
6PCS	6PCS

Note: Part 4 will face up with the "x" mark on it, otherwise it cannot be tightened

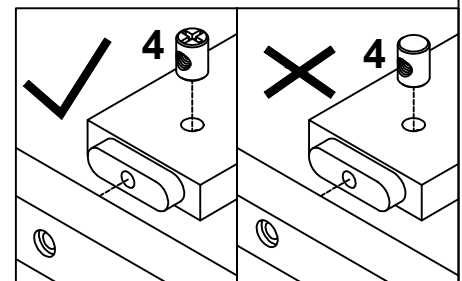


STEP 2:






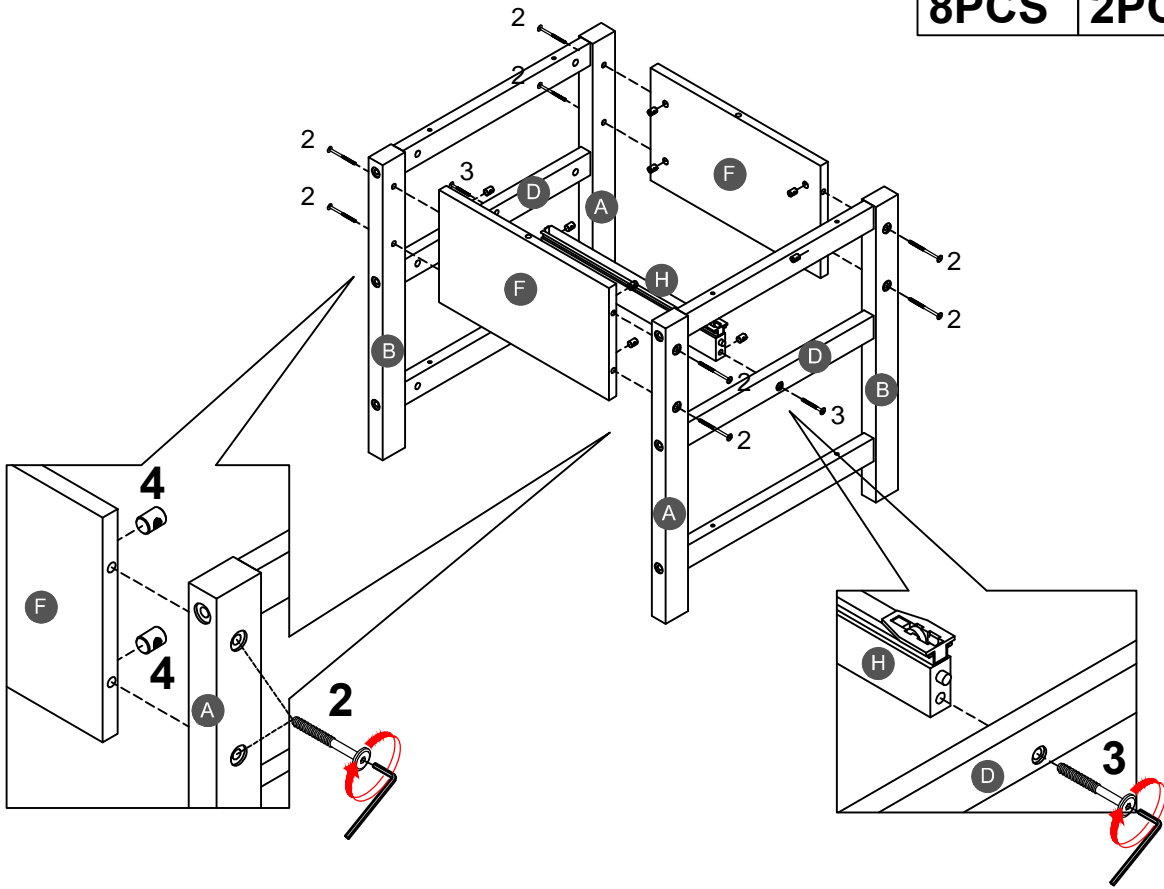
2	4
6PCS	6PCS

Note: Part 4 will face up with the "x" mark on it, otherwise it cannot be tightened




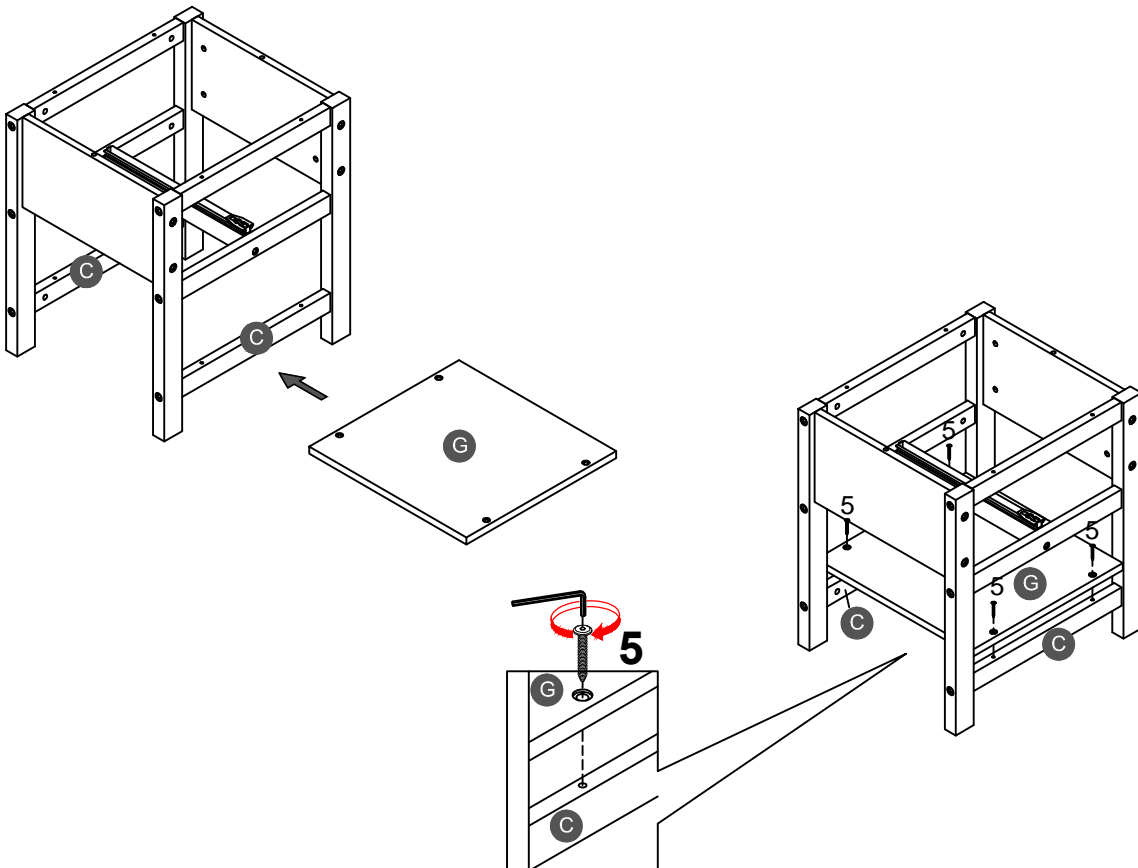
STEP 3:

2		3		4	
8PCS		2PCS		10PCS	





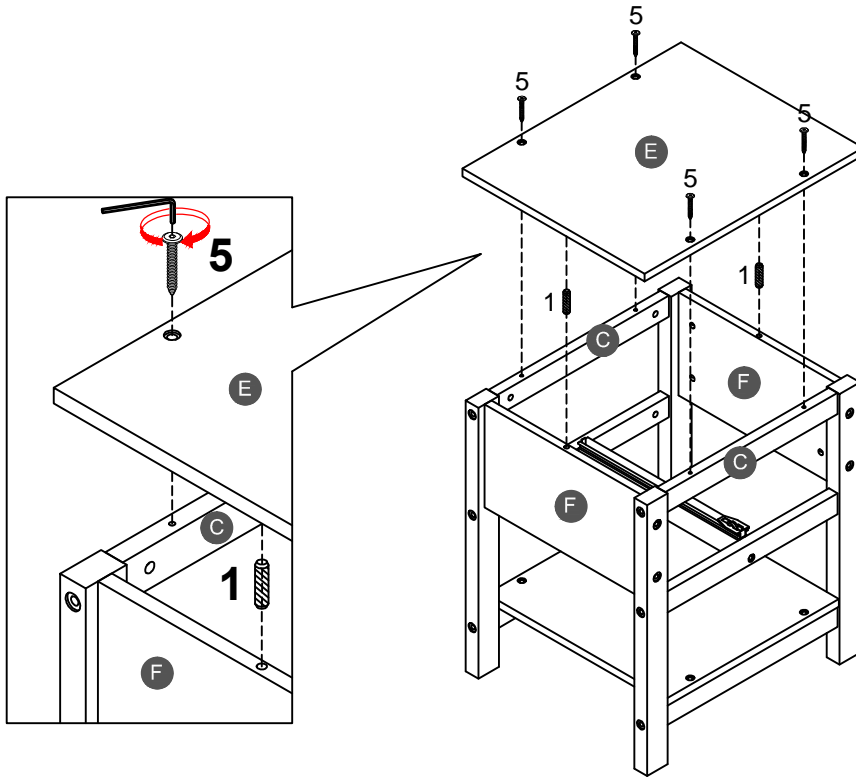
STEP 4:

5	
4PCS	




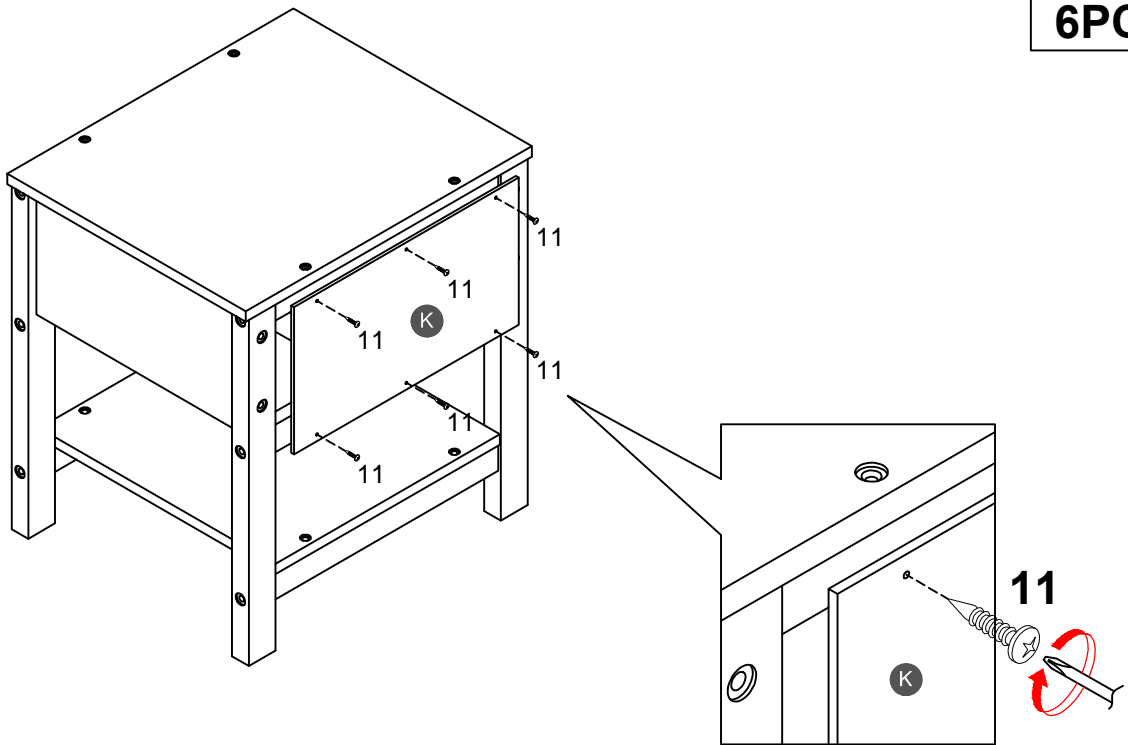
STEP 5:

1		5	
2PCS		4PCS	






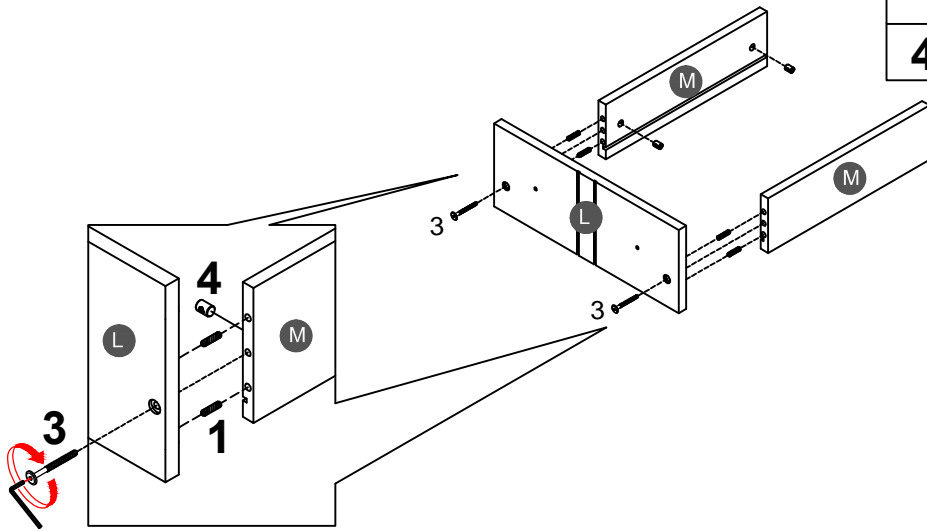
STEP 6:

11	
6PCS	






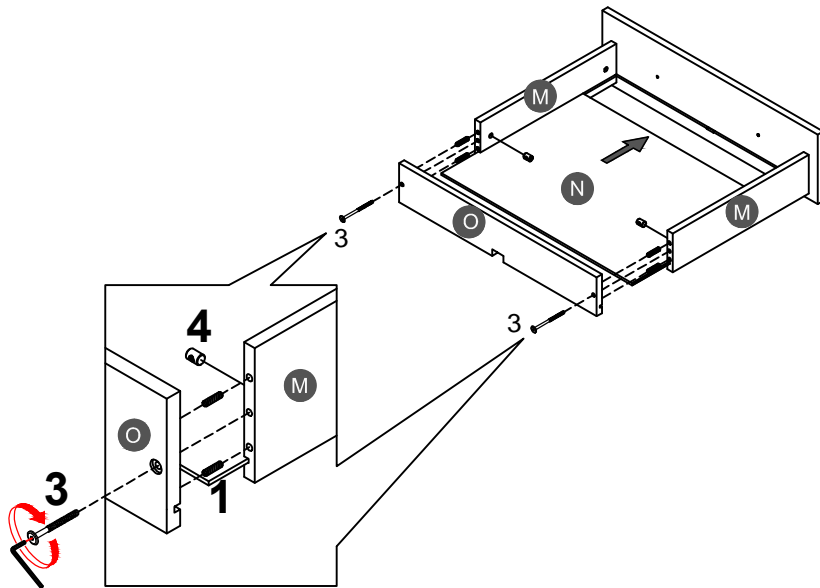
STEP 7:

1		3		4	
4PCS		2PCS		2PCS	





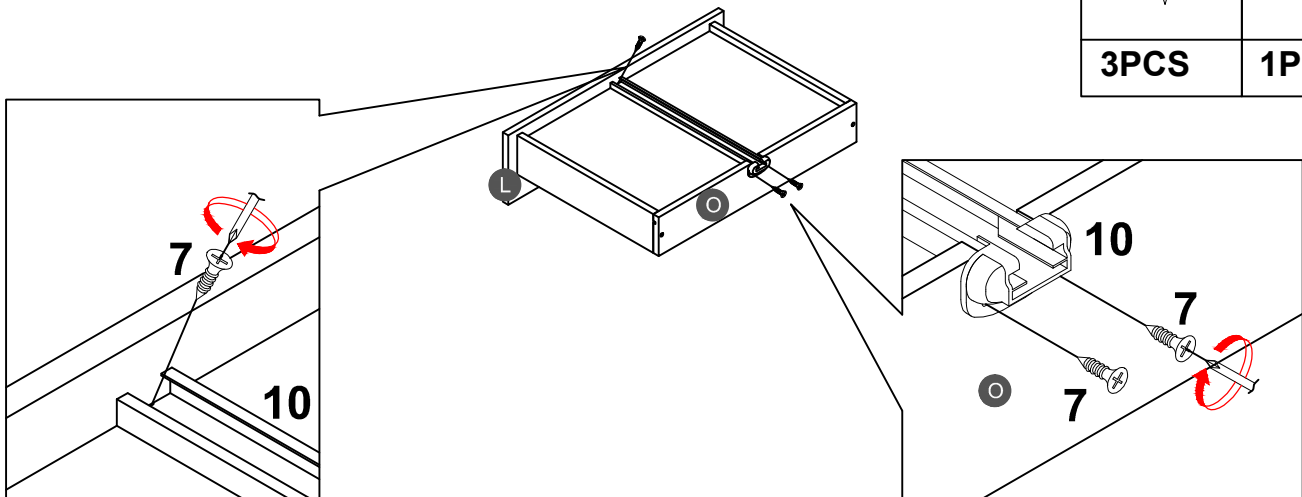
STEP 8:

1		3		4	
4PCS		2PCS		2PCS	

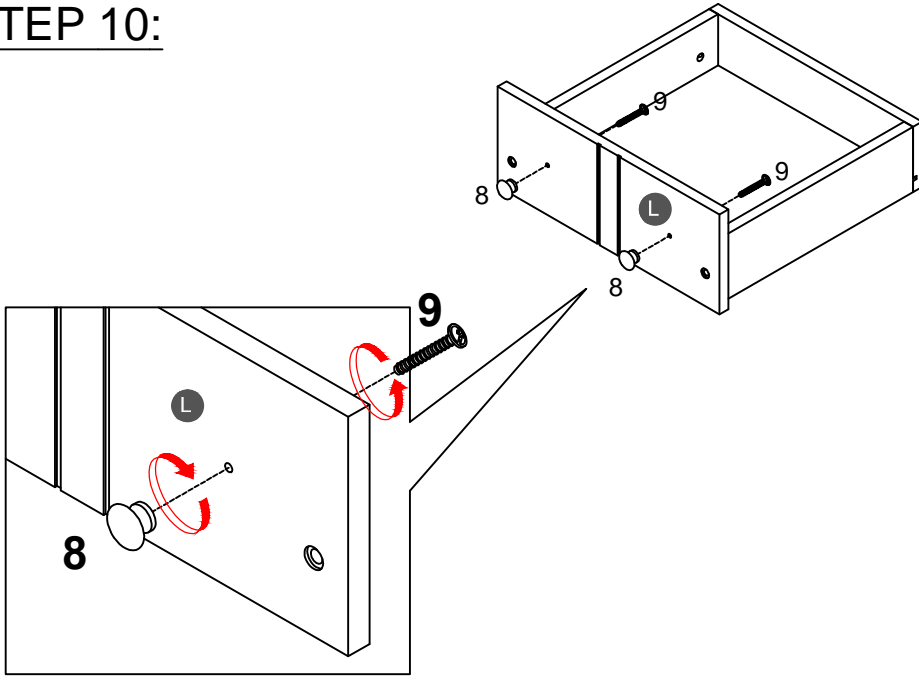


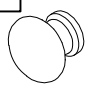

STEP 9:

7		10	
3PCS		1PC	

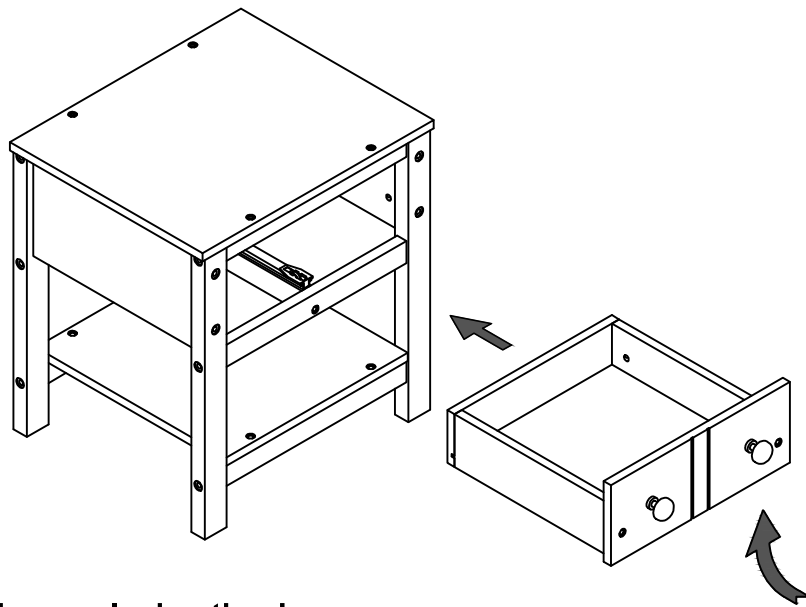


STEP 10:



8		9	
2PCS		2PCS	

STEP 11:



Remark: When opening or closing the drawer,
Please lift the drawer slightly before opening or closing it.

