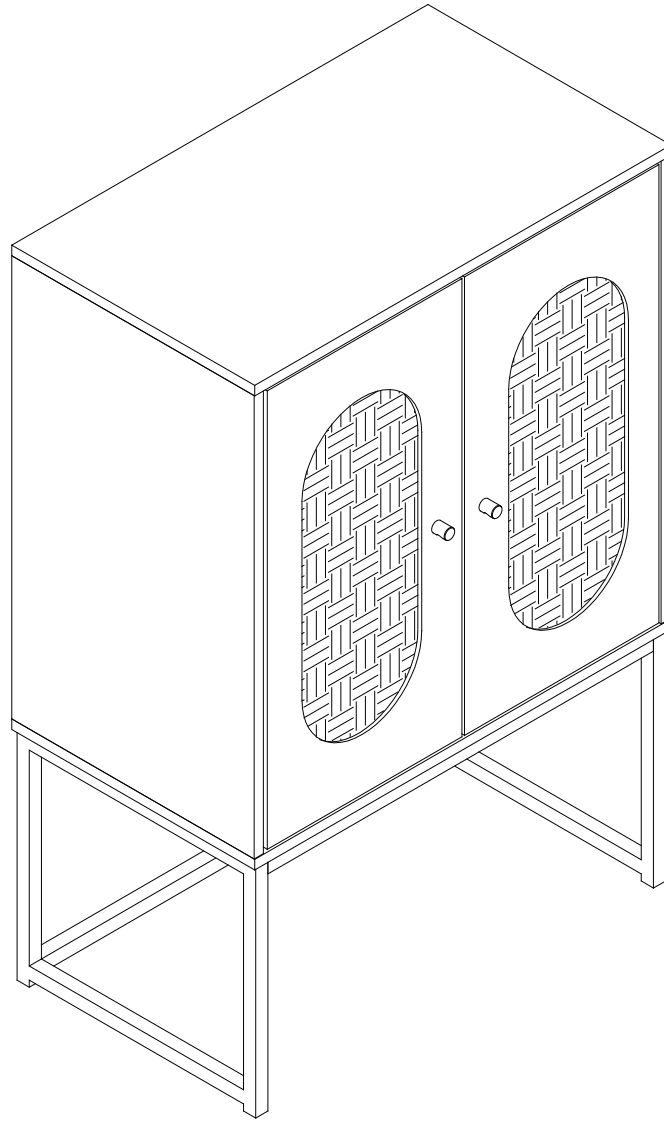


Installation Instruction



Product name

Allen 2 Door Hight Cabinet

Ver.1.0 20210105

Assembling

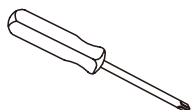
Estimated time for assembly



30 : 00

What you need

- Use the packaging carton as a working surface to prevent product damage during assembly
- Phillips head screwdriver



Weight Limitation



44

lbs table top

22

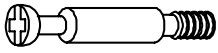
lbs per shelf

What's included

Code	Description	Qty
A	Cam Bolt M6X35MM	10
B	Cam Lock 15X10MM	10
C	Screw M4X35MM	6
D	Screw M3X14MM	8
E	Screw M3X10MM	4
F	Screw M4X35MM	2
G	Screw M4X14MM	2
H	Bolt M4X18MM	2
I	Handle	2
J	Bolt M6X30MM	8
K	Bolt M6X40MM	6
L	Wooden Dowel M6X30MM	10
M	Metal Support	4
N	Metal Pin	4
O	Magnetic Door Catcher	2
P	Metal Plate	4
Q	Anchor M6X30MM	2
R	Nylon Strap	2
S	Allen Key	1
T	Plastic corner support	4

The Hardwares

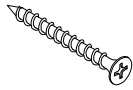
A



B



C



D



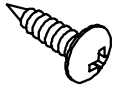
E



F



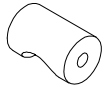
G



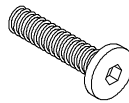
H



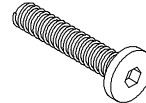
I



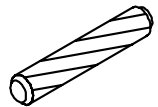
J



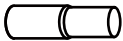
K



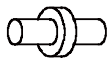
L



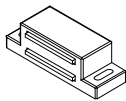
M



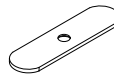
N



O



P



Q



R



S



T



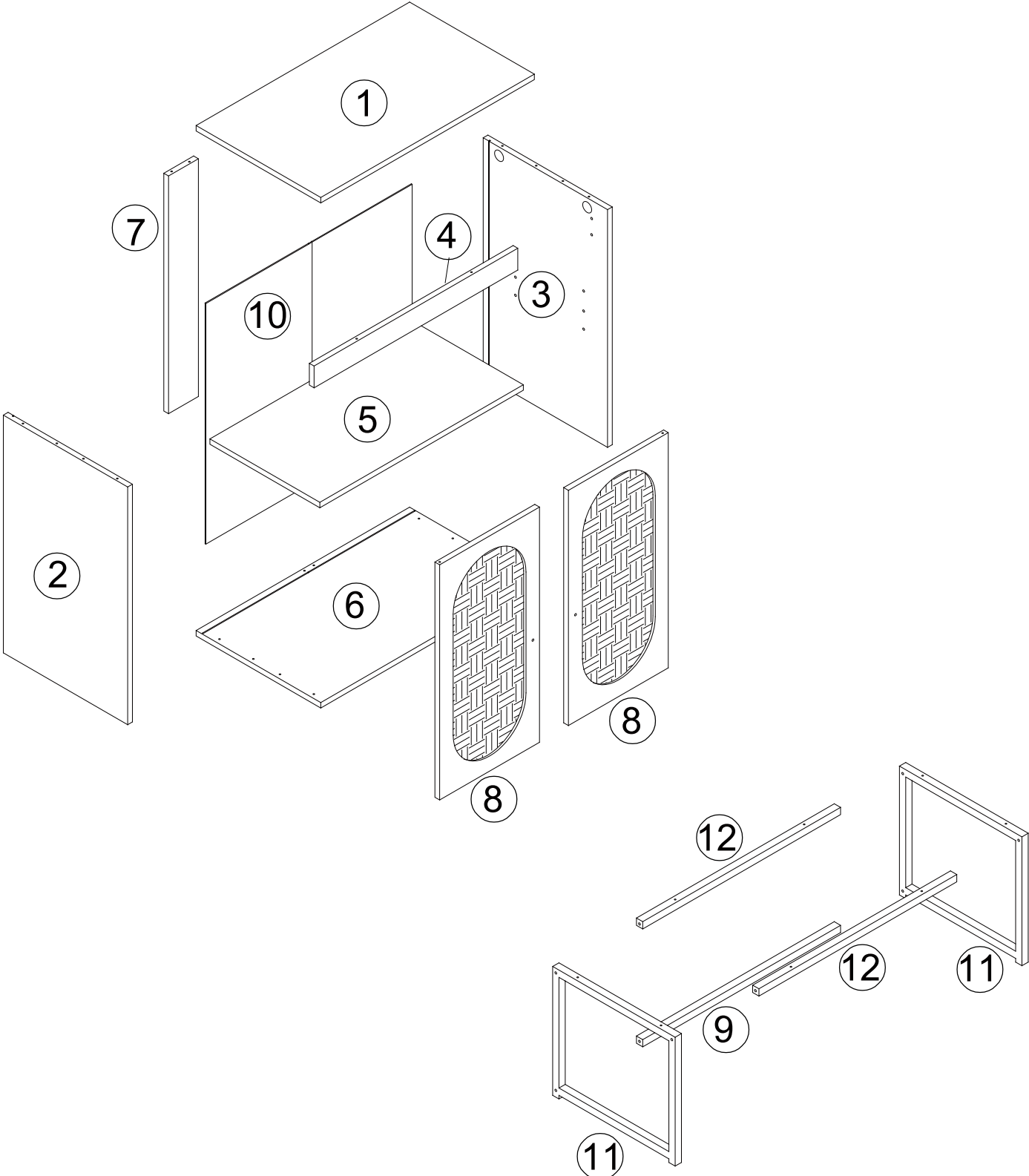
IMPORTANT:

1. Do not tighten bolts / screws completely until all bolts / screws are lined up and inserted into holes.
2. Do not over tighten screws and bolts to avoid stripping.
3. Please use hand tools to assemble this product. Do not use power tools.

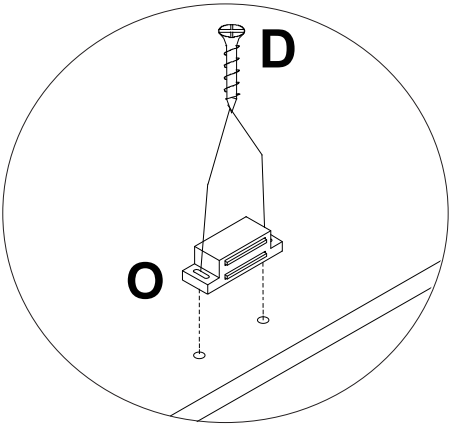
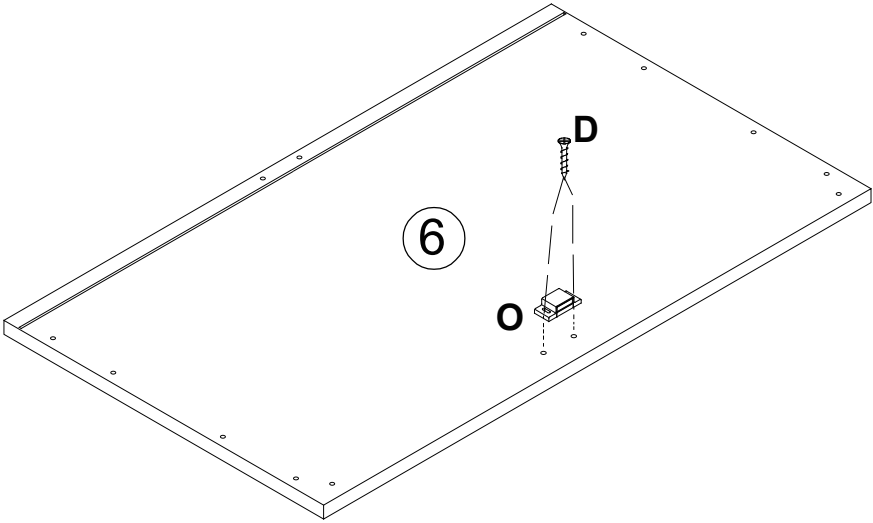
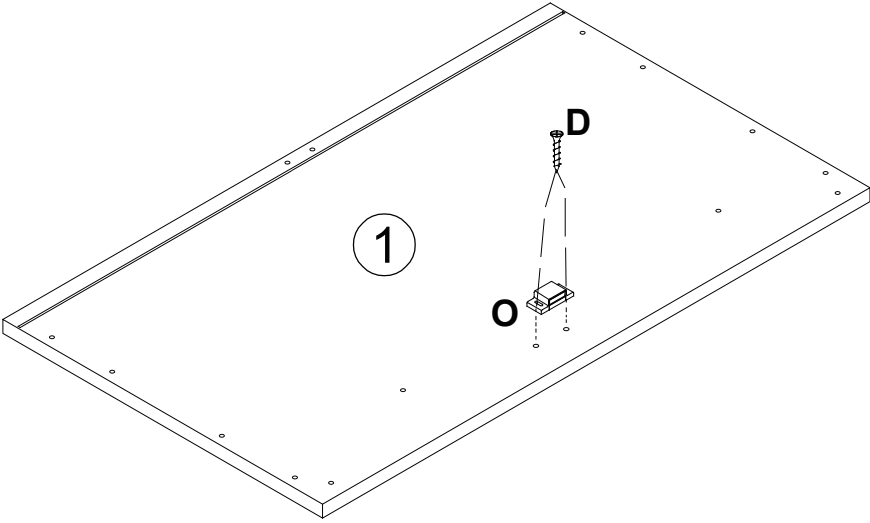
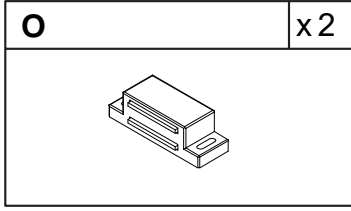
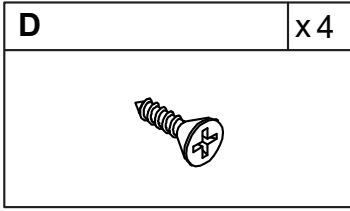
Included Accessories

Code	Description	Qty
1	Cabinet Top	1
2	Left Side Panel	1
3	Right Side Panel	1
4	Top Stretcher	1
5	Shelf	1
6	Bottom Panel	1
7	Back Stretcher	1
8	Door	2
9	Bottom Metal Stretcher	1
10	Back Panel	1
11	Side Frame	2
12	Top Metal Stretcher	2

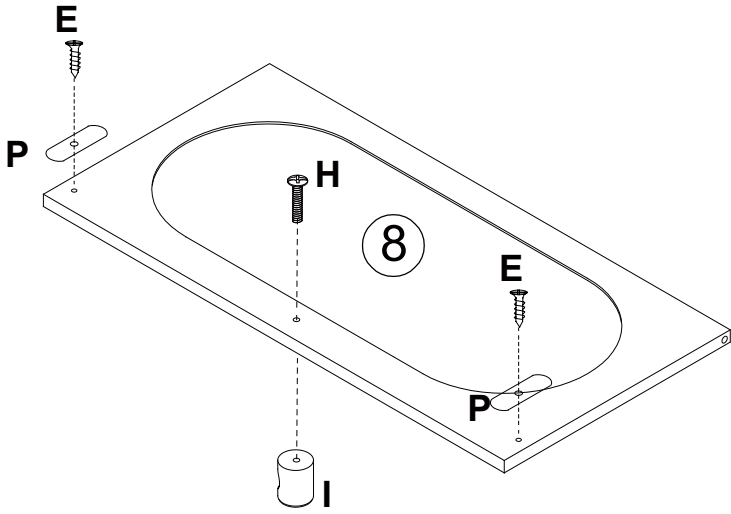
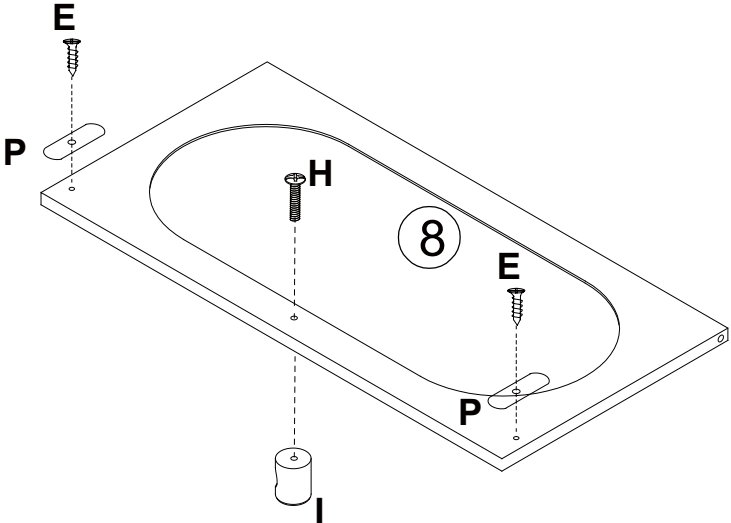
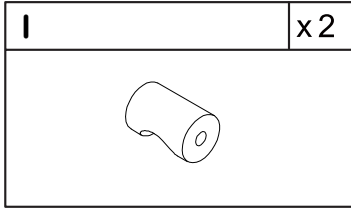
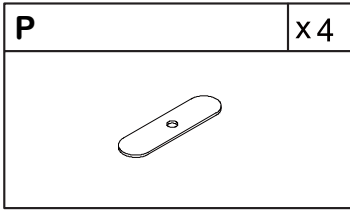
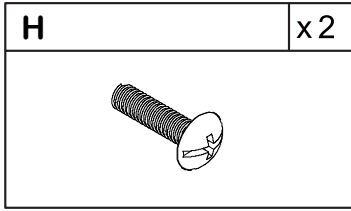
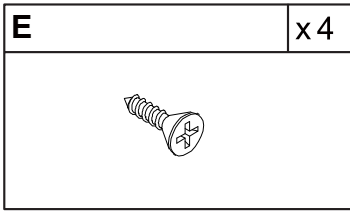
The Accessories



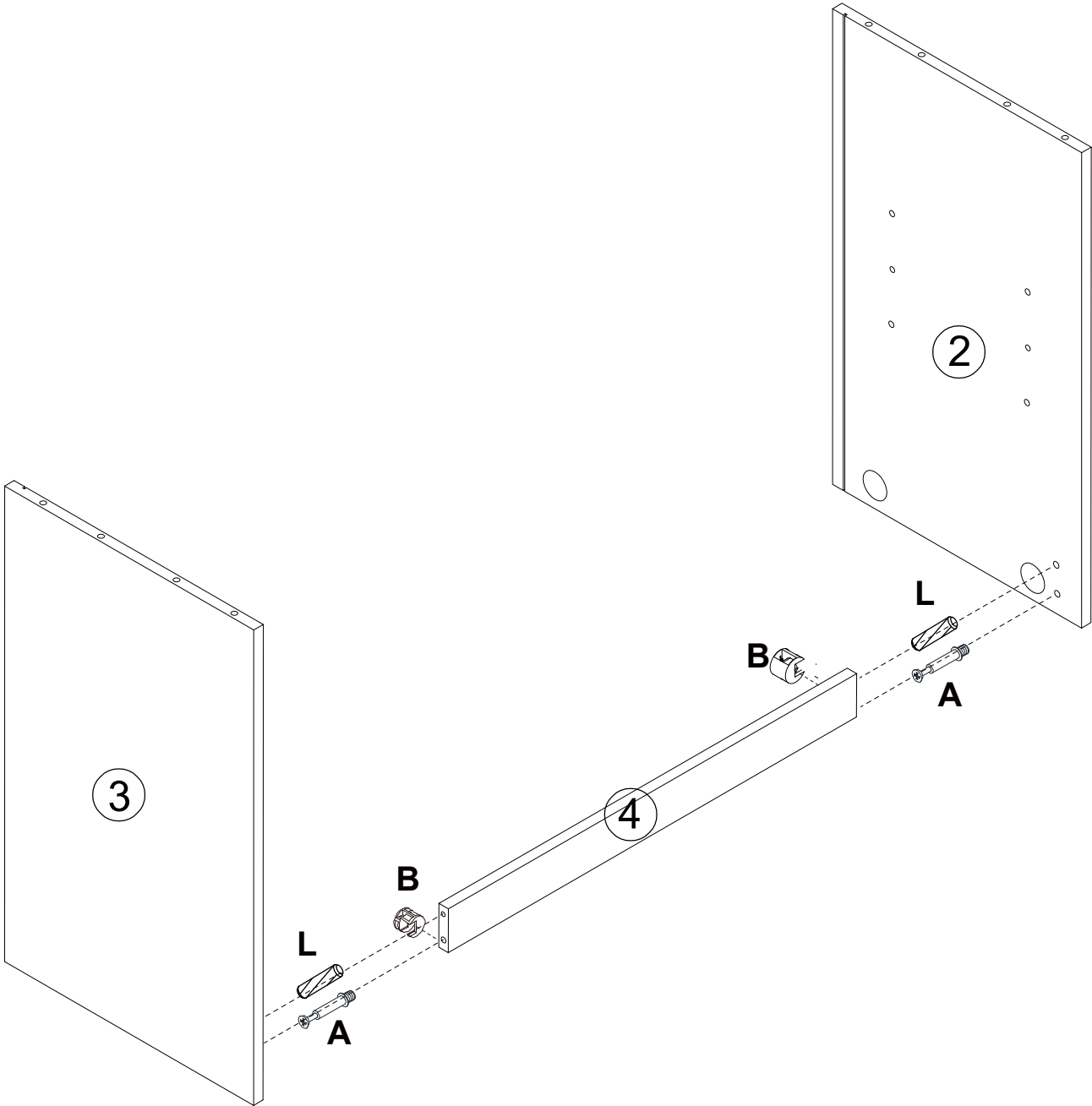
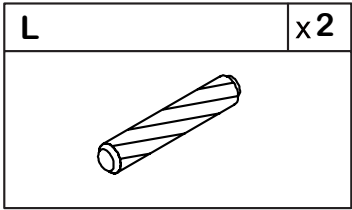
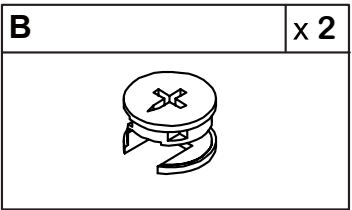
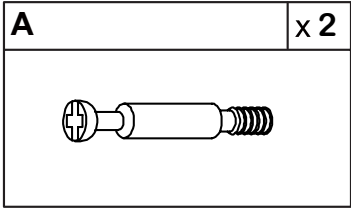
Step 1



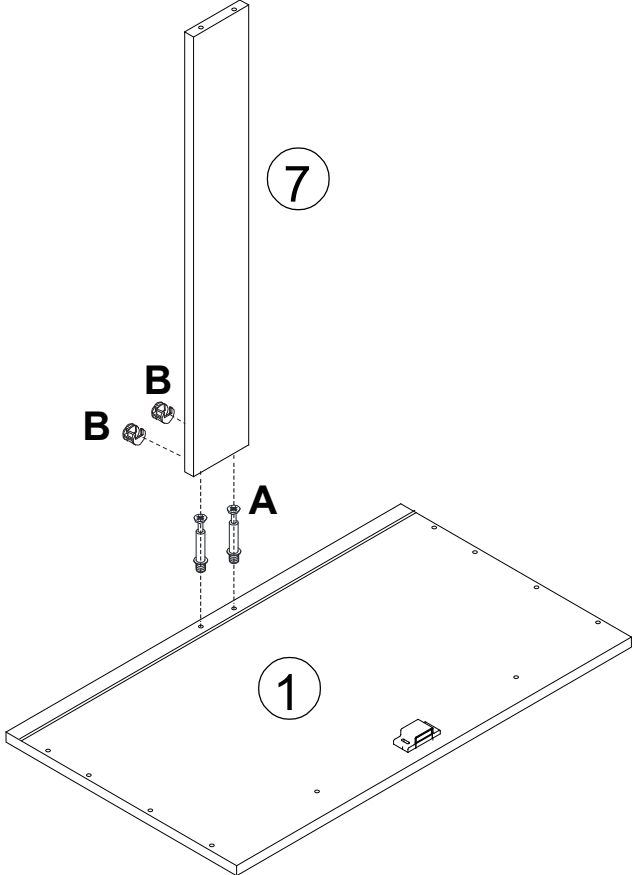
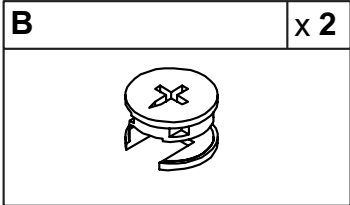
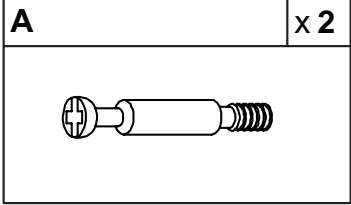
Step 2



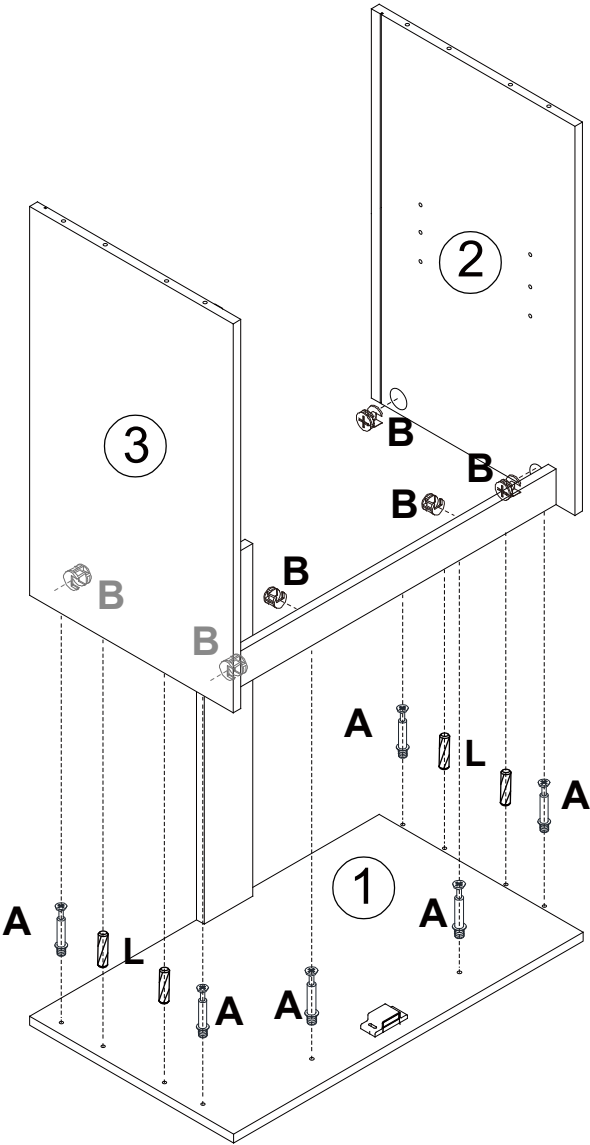
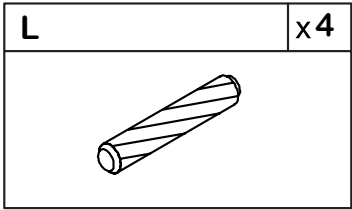
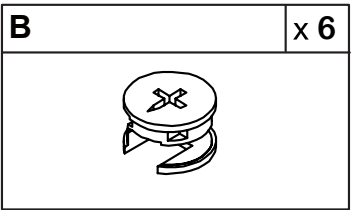
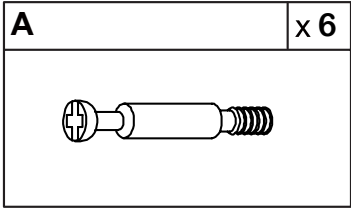
Step 3



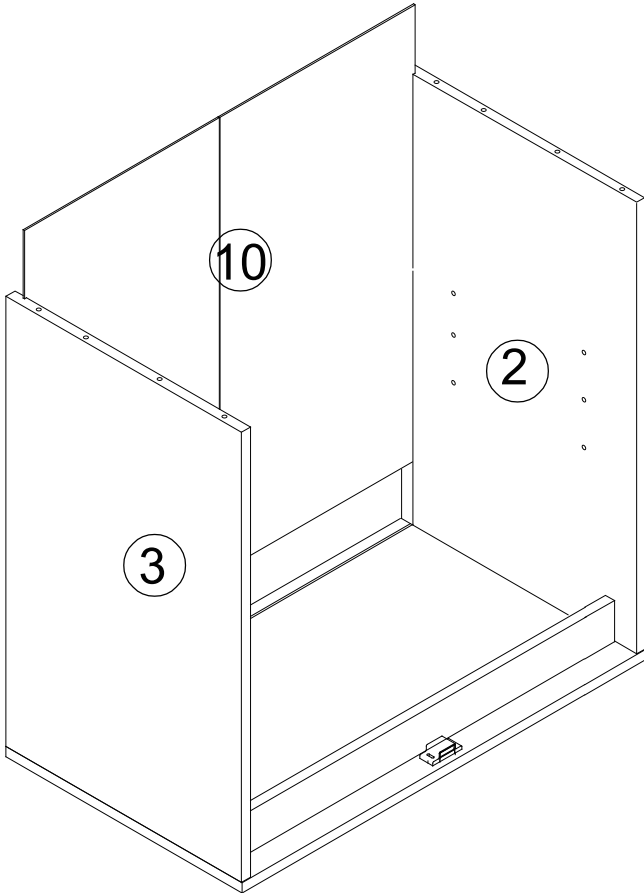
Step 4



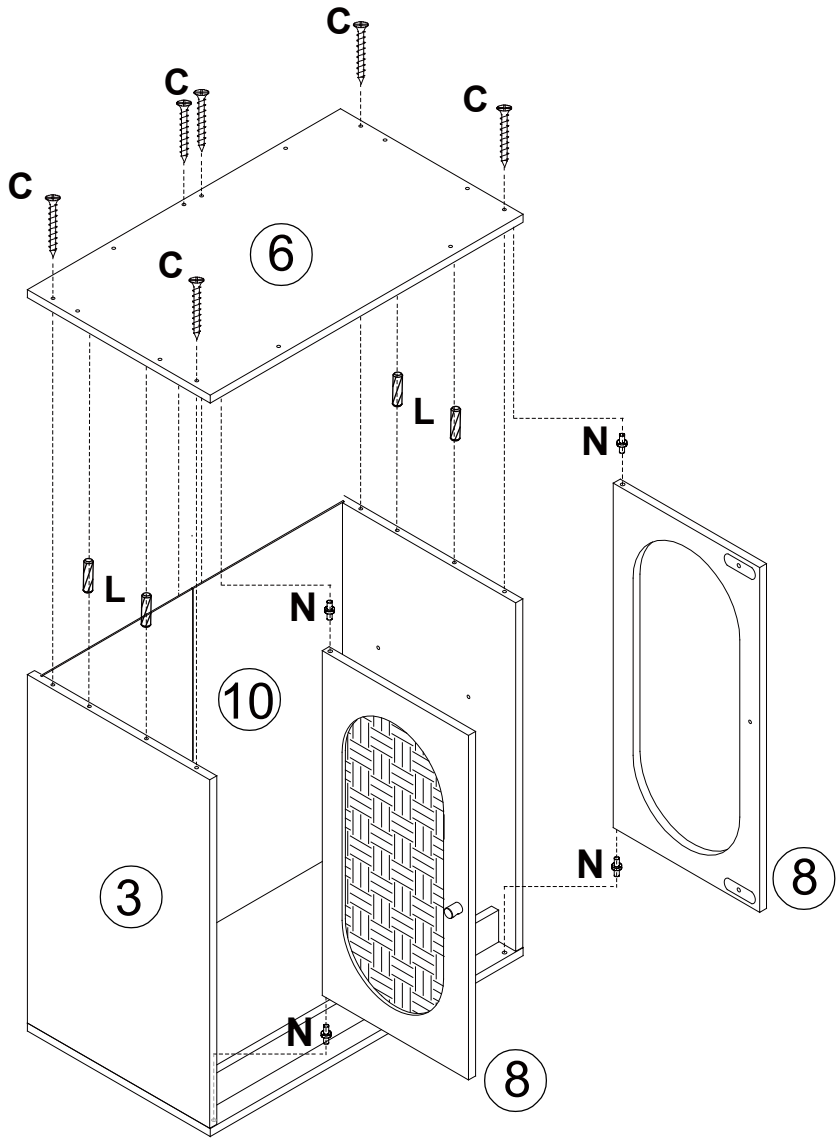
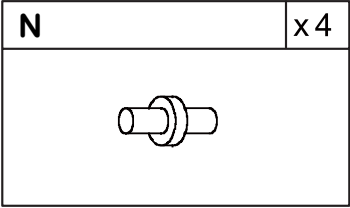
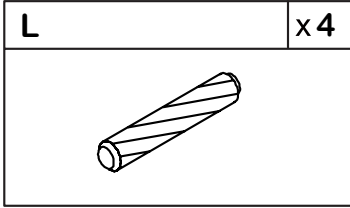
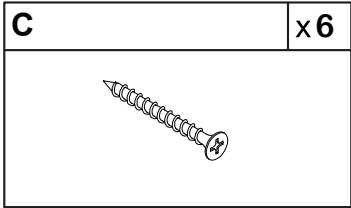
Step 5



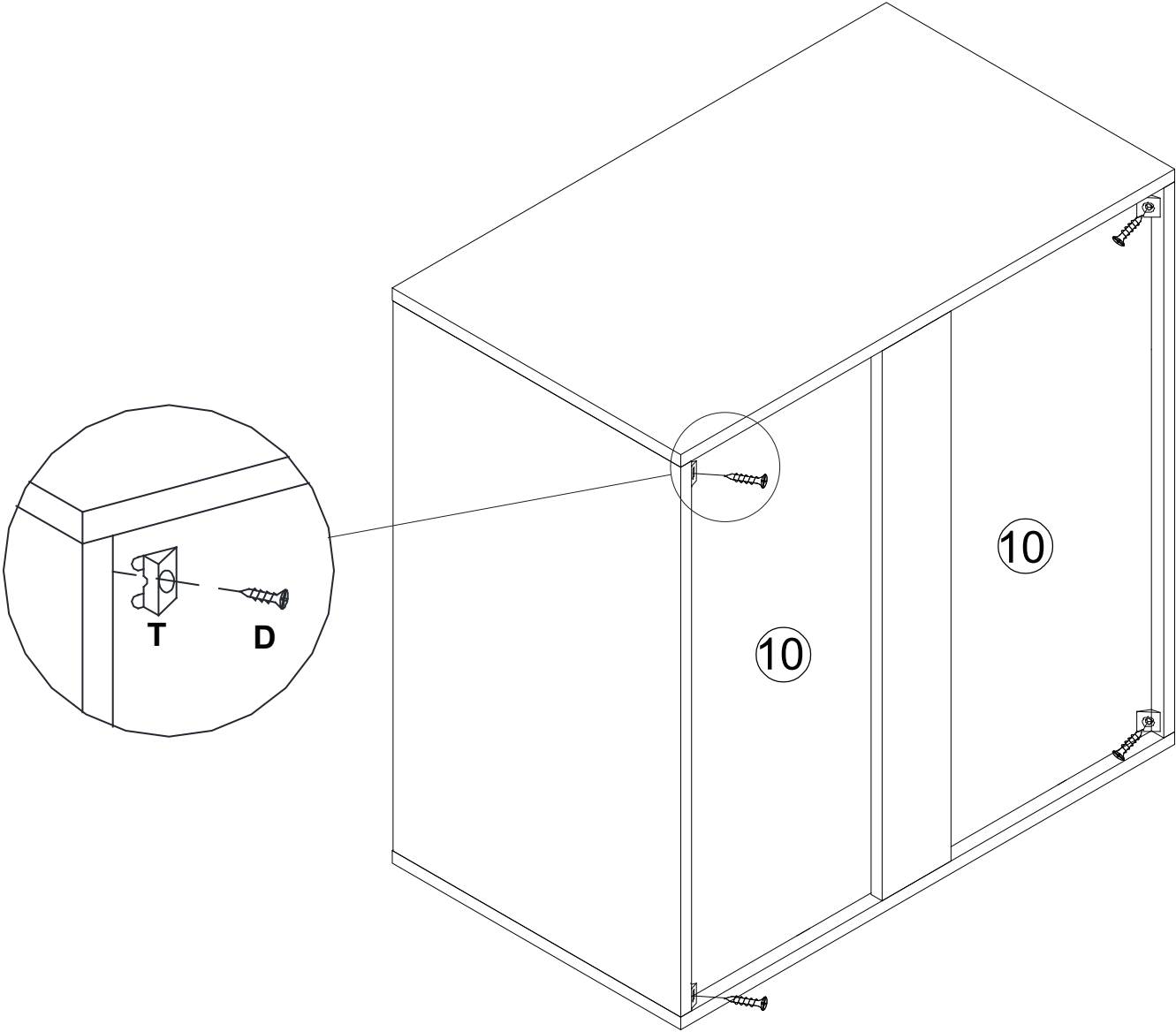
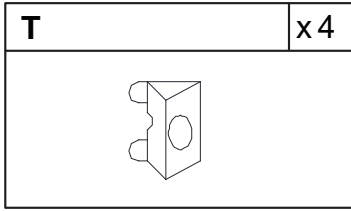
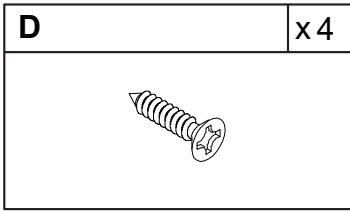
Step 6




Step 7

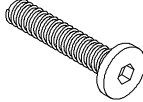


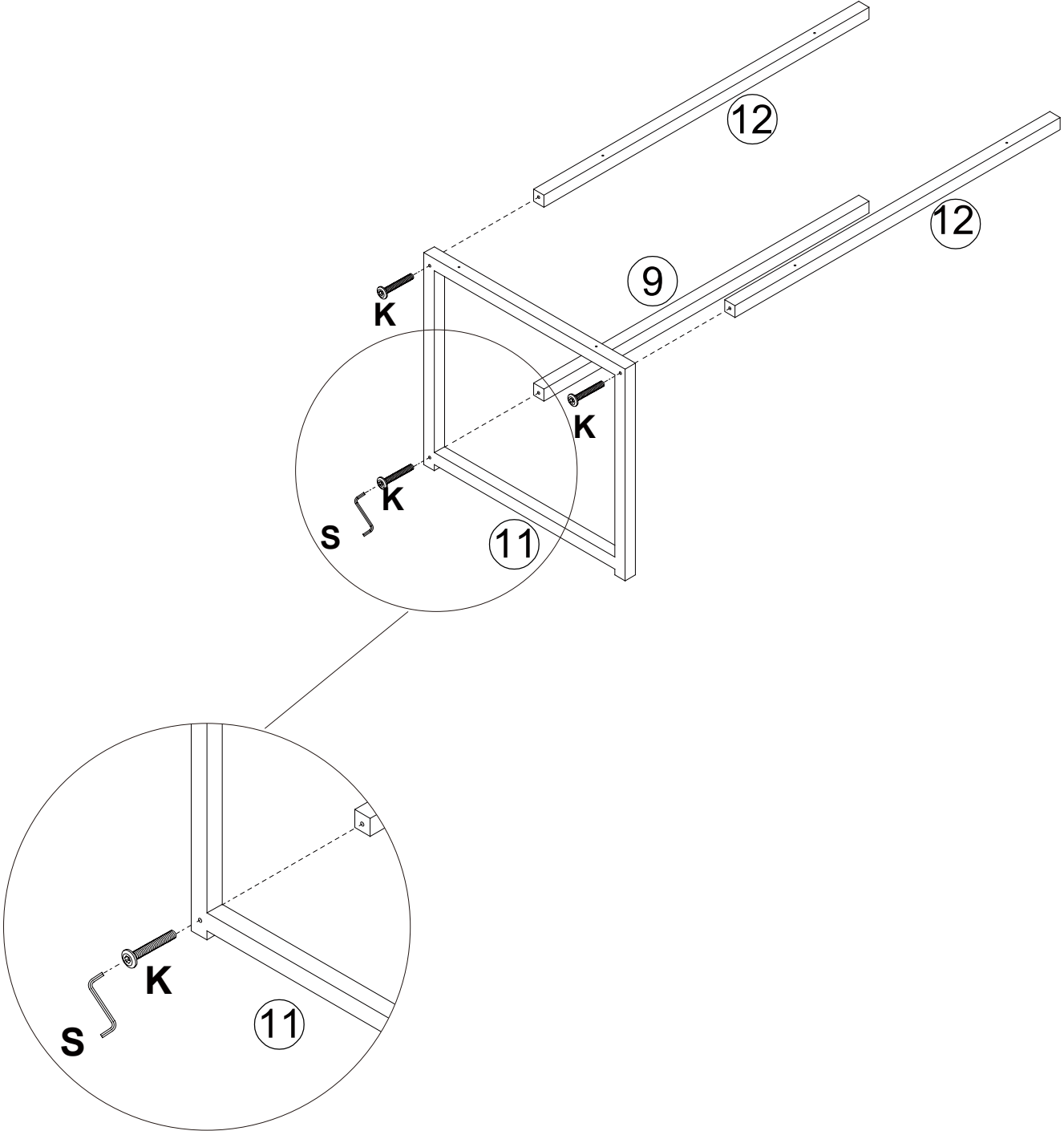
Step 8




Step 9

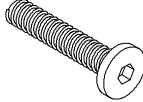
S	x1
	

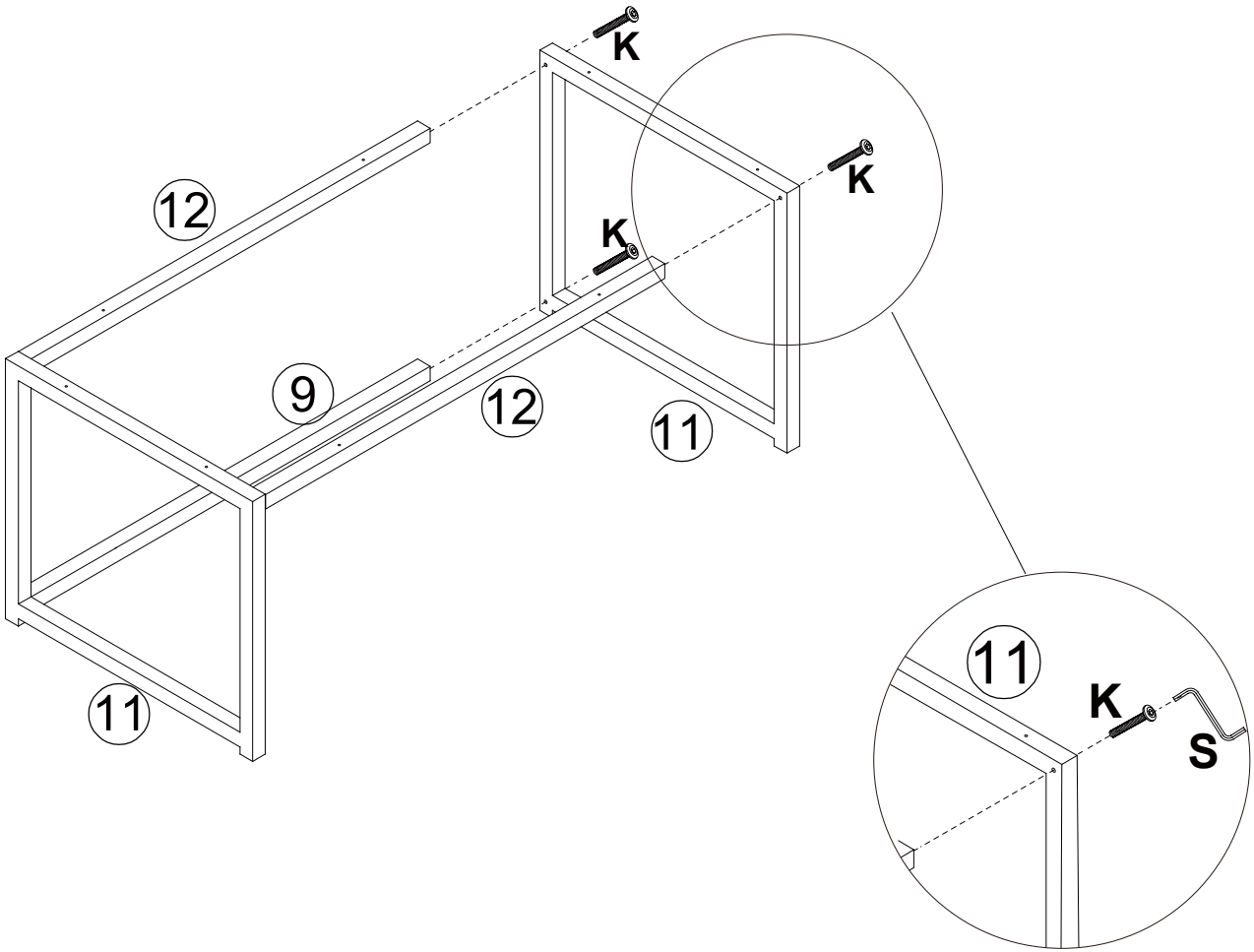
K	x3
	




Step 10

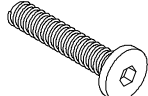
S	x1
	

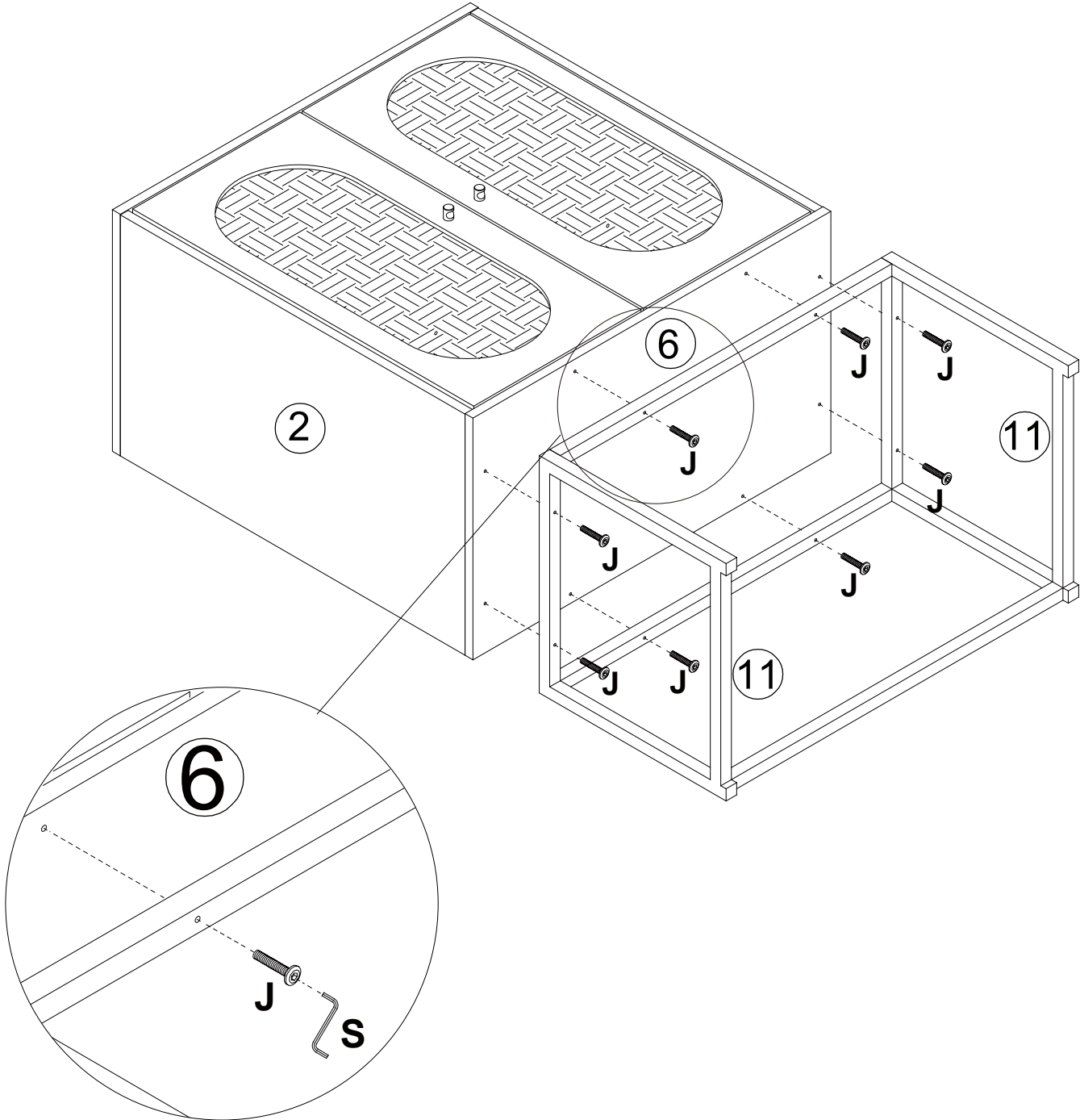
K	x3
	



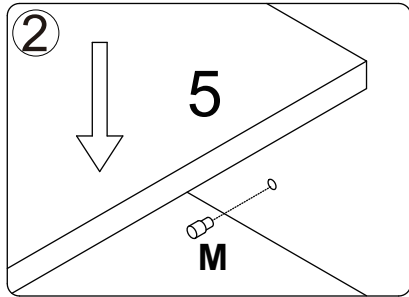
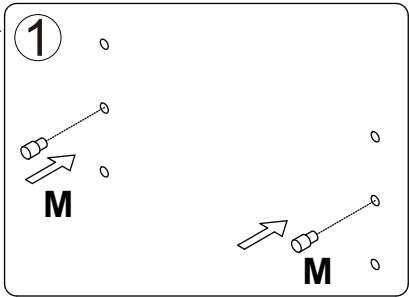
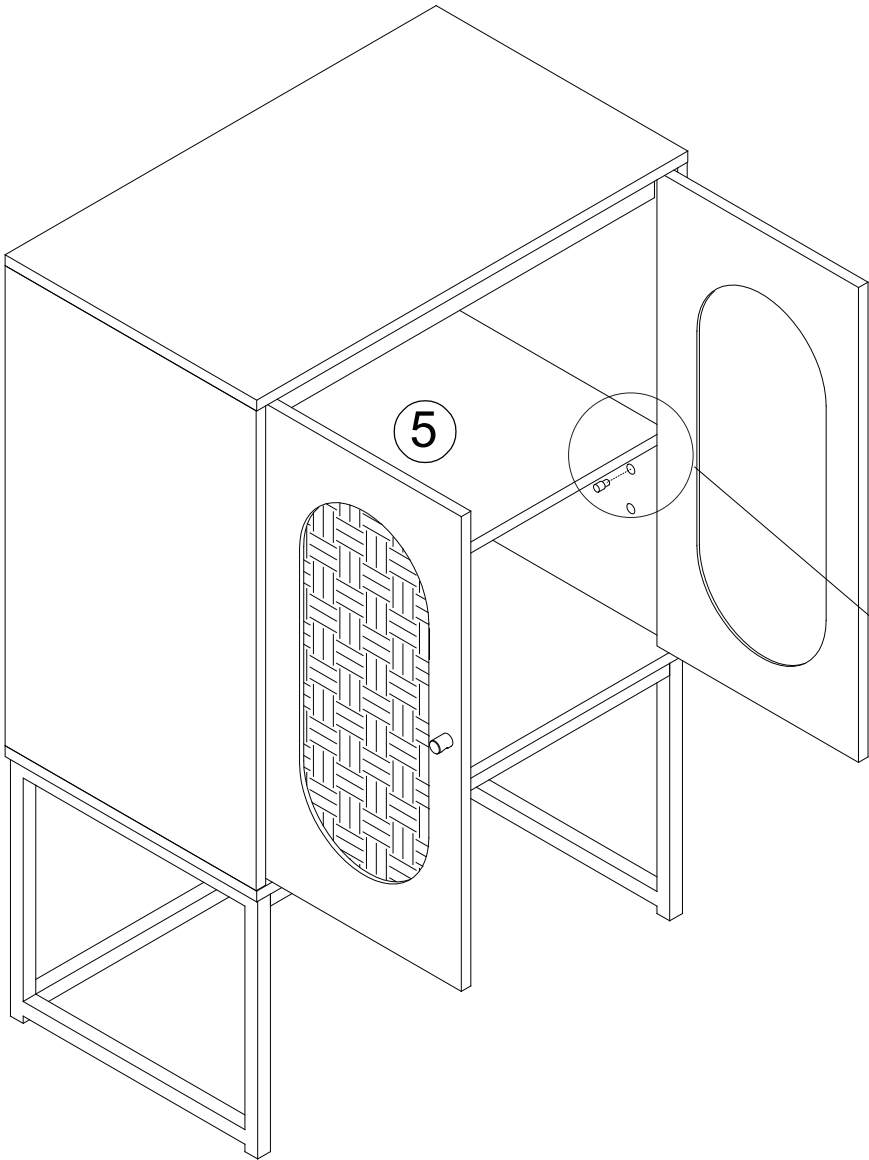
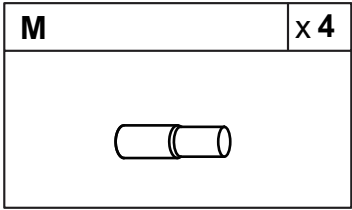
Step 11

S	x1
	

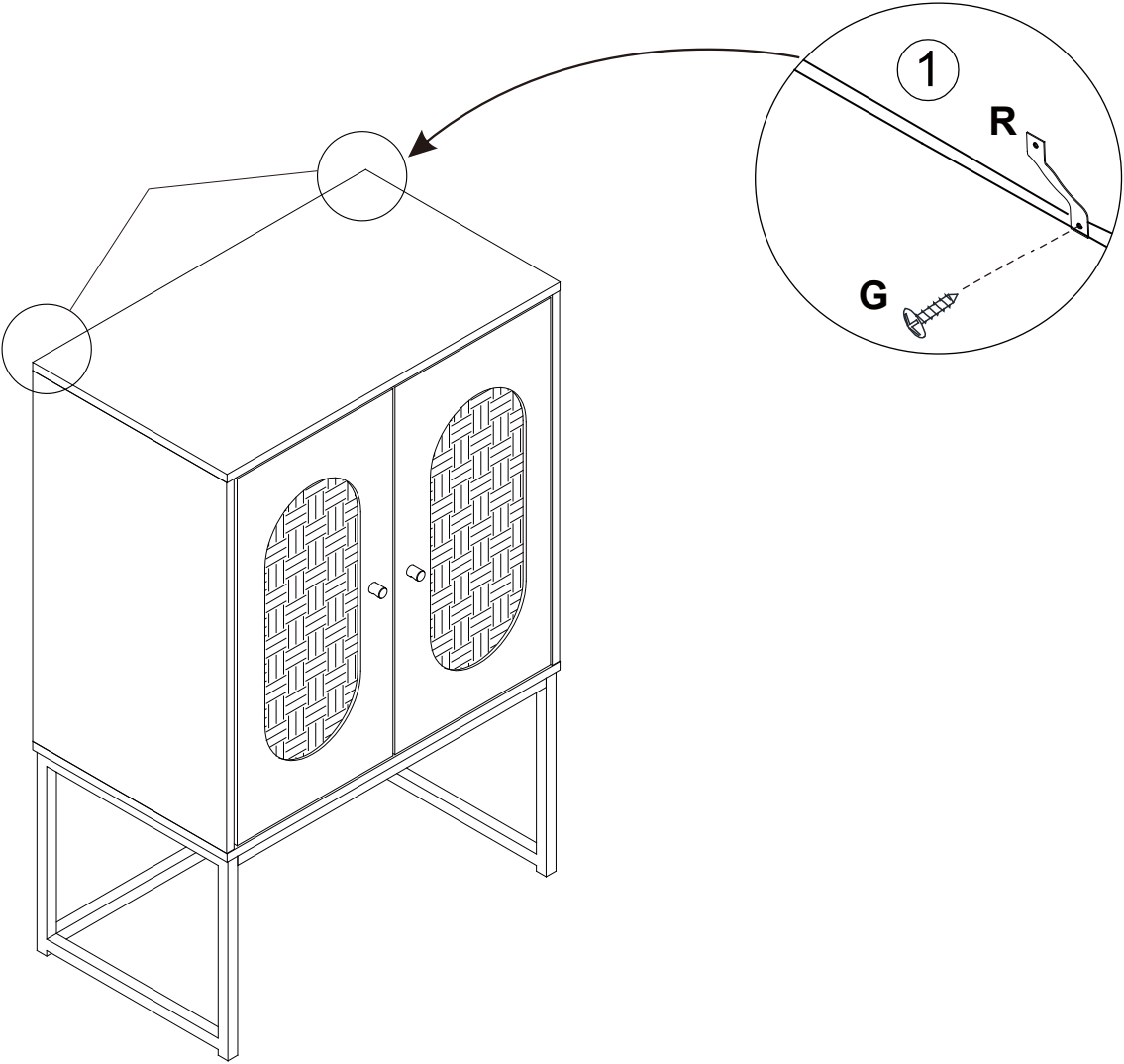
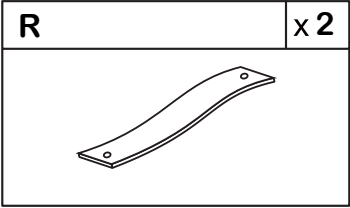
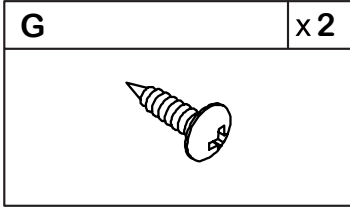
J	x8
	



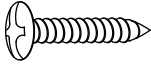
Step 12




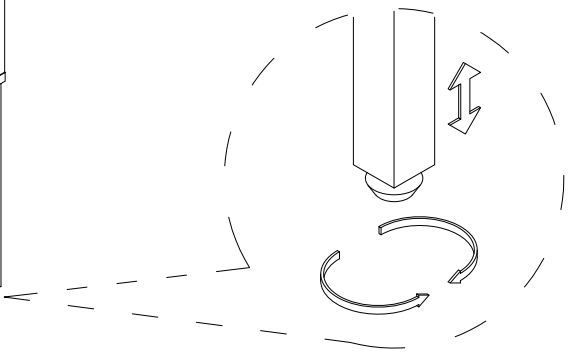
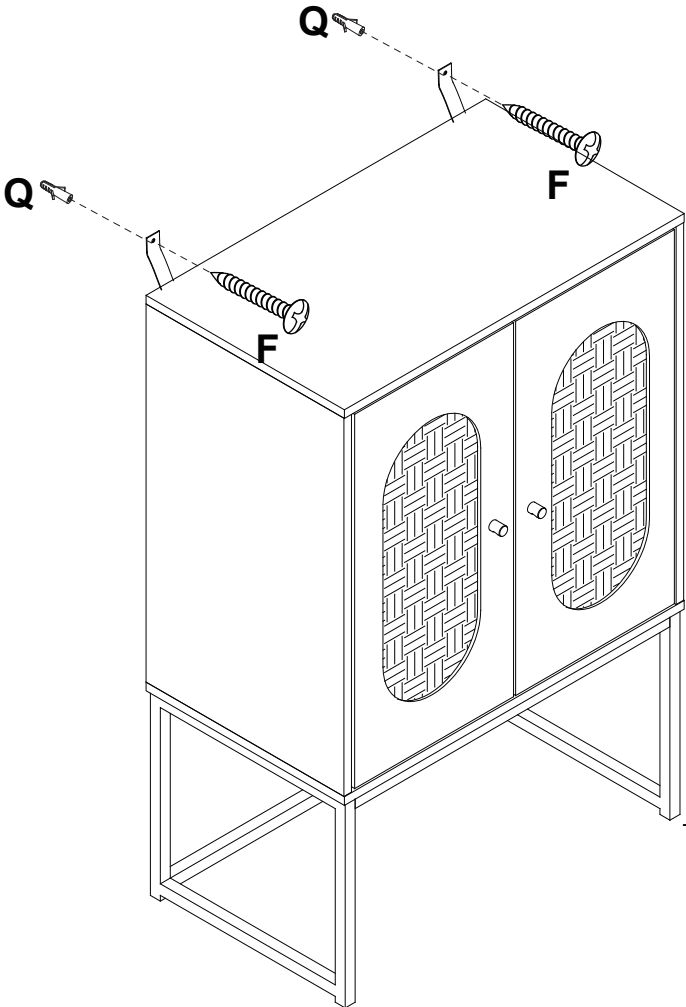
Step 13



Step 14

F	x2
	

Q	x2
	



Proper Use

- DO NOT** use for commercial purposes
- DO NOT** use as a step stool or stand on table
- DO NOT** put hot serving liquid directly on the table top
- DO NOT** leave spilled liquid on the table top
- DO NOT** use table if damaged
- DO NOT** exceed weight limit
- DO NOT** make temporary repairs
- DO NOT** use outdoor