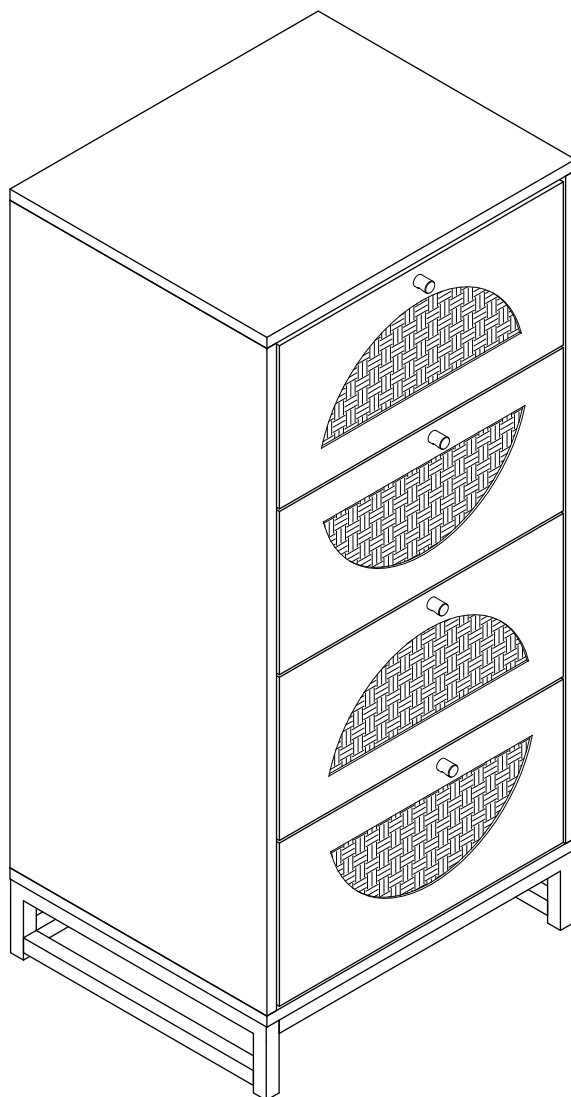


Installation Instruction



Allen 4 Drawer Side Table

Assembling

Estimated time for assembly

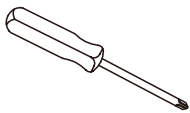


30 : 00

What you need

Screw M4X14MM

- Use the packaging carton as a working surface to prevent product damage during assembly
- Phillips head screwdriver



Weight Limitation



55

lbs table top

| 11

lbs per shelf

What's included

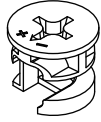
Code	Description	Qty
A	Cam Bolt M6X35MM	26
B	Cam Lock 15X12MM	10
C	Wooden Dowel M6X30MM	10
D	Screw M4X35MM	16
E	Screw M5X40MM	4
F	Allen Key	1
G	Bolt M6X30MM	8
H	Slide Sets	4
I	Screw M3.5X12MM	48
J	Handle	4
K	Bolt M4X18MM	4
L	Plastic corner support	8
M	Screw M3X14MM	8
N	Bolt M6X40MM	6
O	Cam Lock 15X10MM	16
P	Anchor M6X30MM	2
Q	Screw M4X40MM	2

The Hardwares

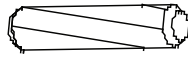
A



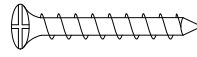
B



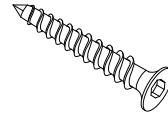
C



D



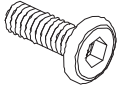
E



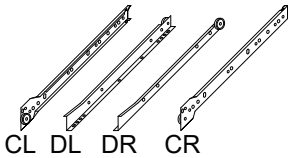
F



G



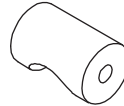
H



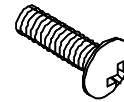
I



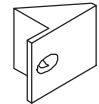
J



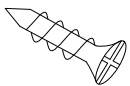
K



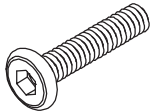
L



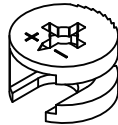
M



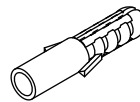
N



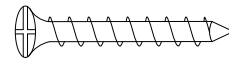
O



P



Q



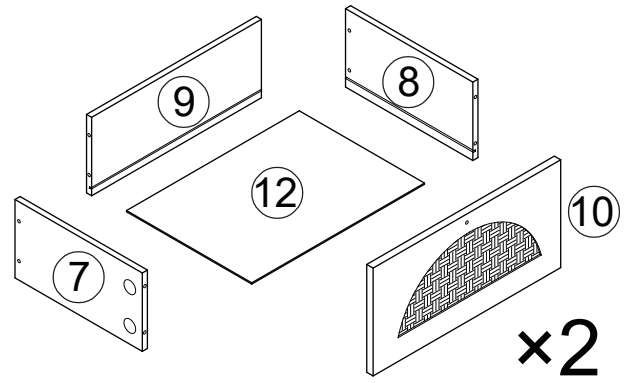
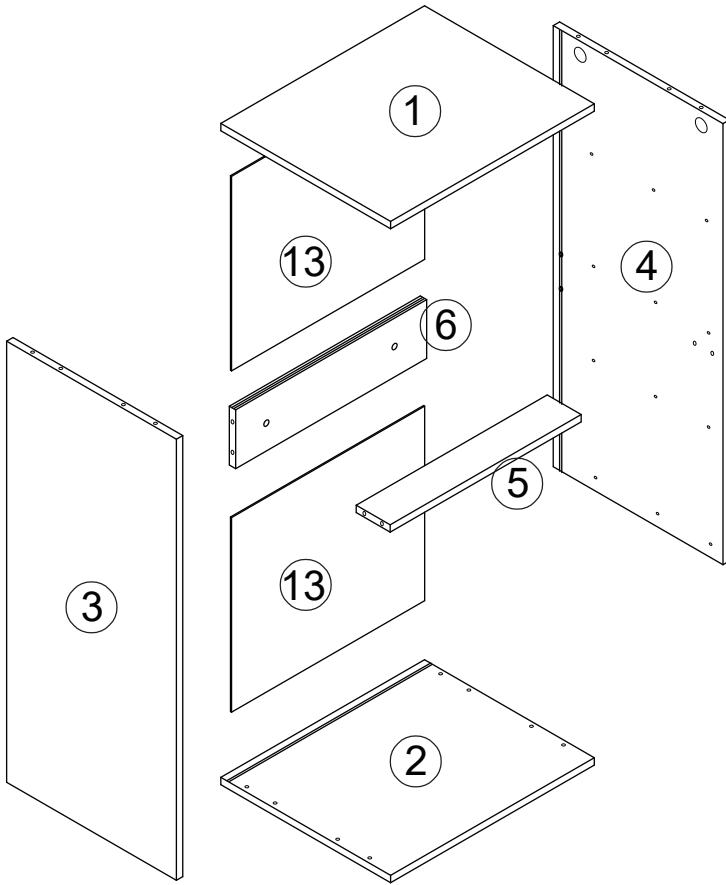
IMPORTANT:

1. Do not tighten bolts / screws completely until all bolts / screws are lined up and inserted into holes.
2. Do not over tighten screws and bolts to avoid stripping.
3. Please use hand tools to assemble this product. Do not use power tools.

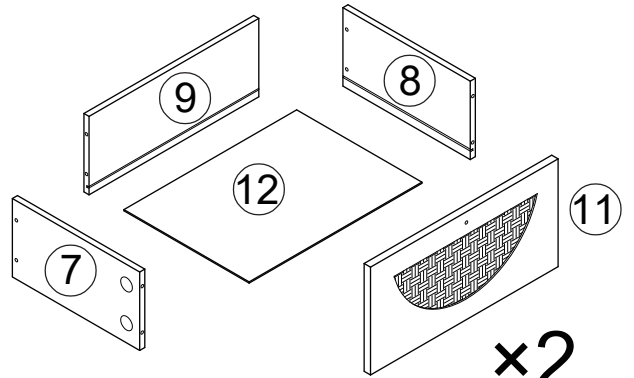
Included Accessories

Code	Description	Qty
1	Cabinet Top	1
2	Bottom Panel	1
3	Left Side Panel	1
4	Right Side Panel	1
5	Intermediate support plate	1
6	Rear lock wallboard	1
7	Drawer Left Side Panel	2
8	Drawer Right Side Panel	2
9	Drawer Back Panel	2
10	Drawer Right Front Panel	2
11	Drawer Left Front Panel	2
12	Drawer Bottom Panel	2
13	Back Panel	2
14	Side Frame	2
15	Top Metal Stretcher	2
16	Bottom Metal Stretcher	1

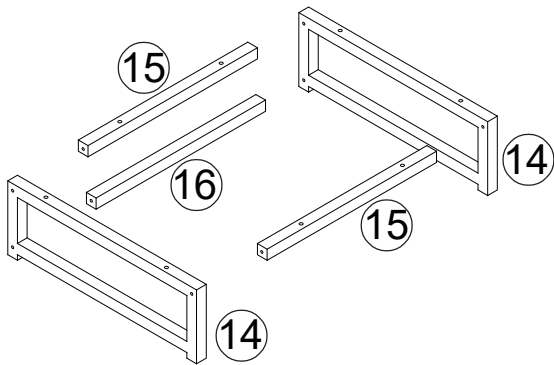
The Accessoriess




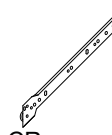
x2




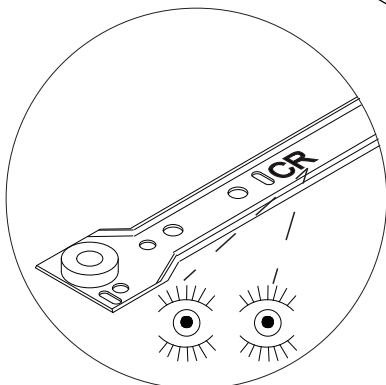
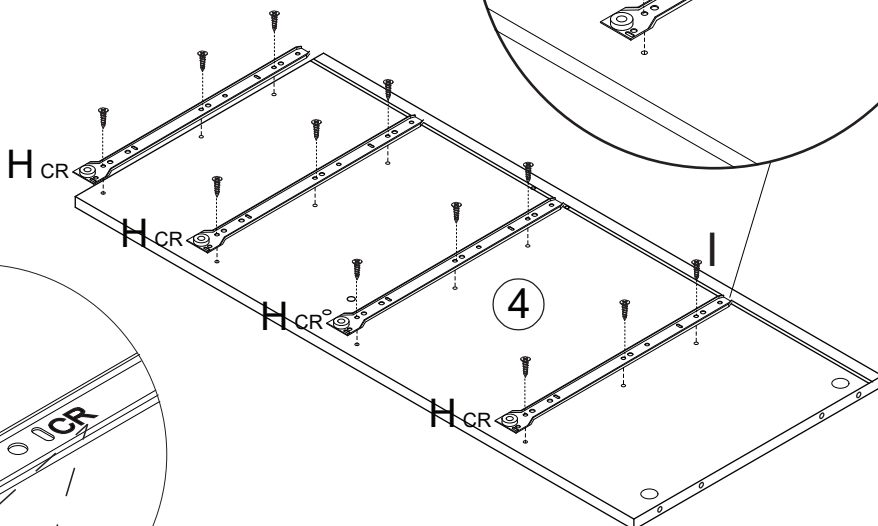
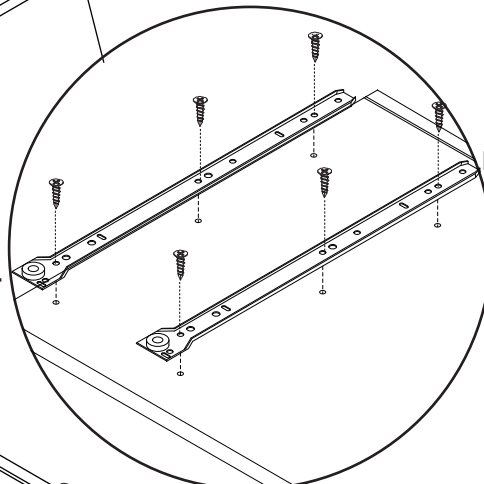
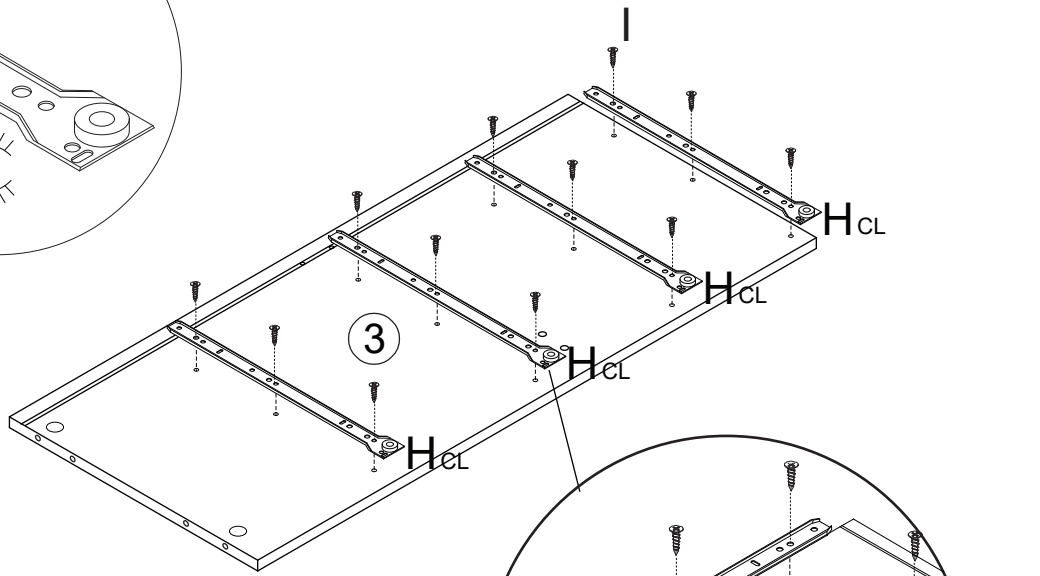
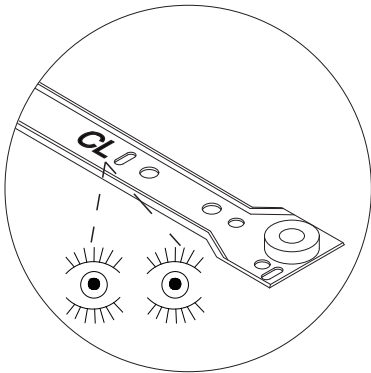
x2



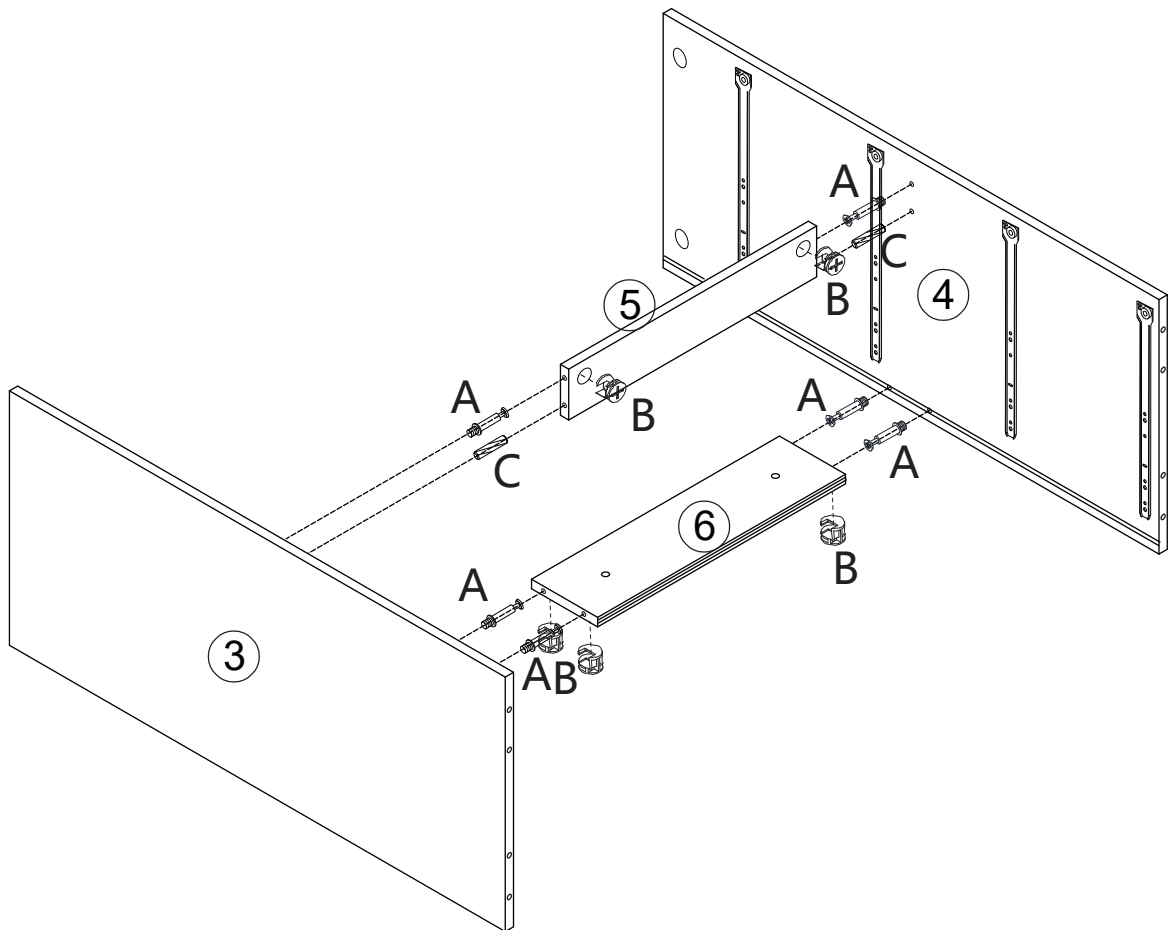
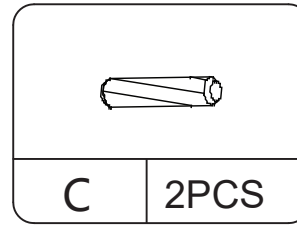
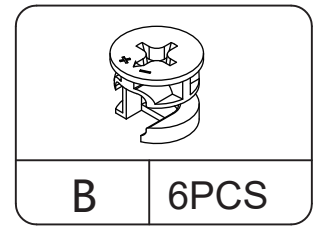
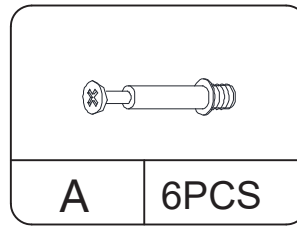
Step 1

 CL	 CR
H	4PCS

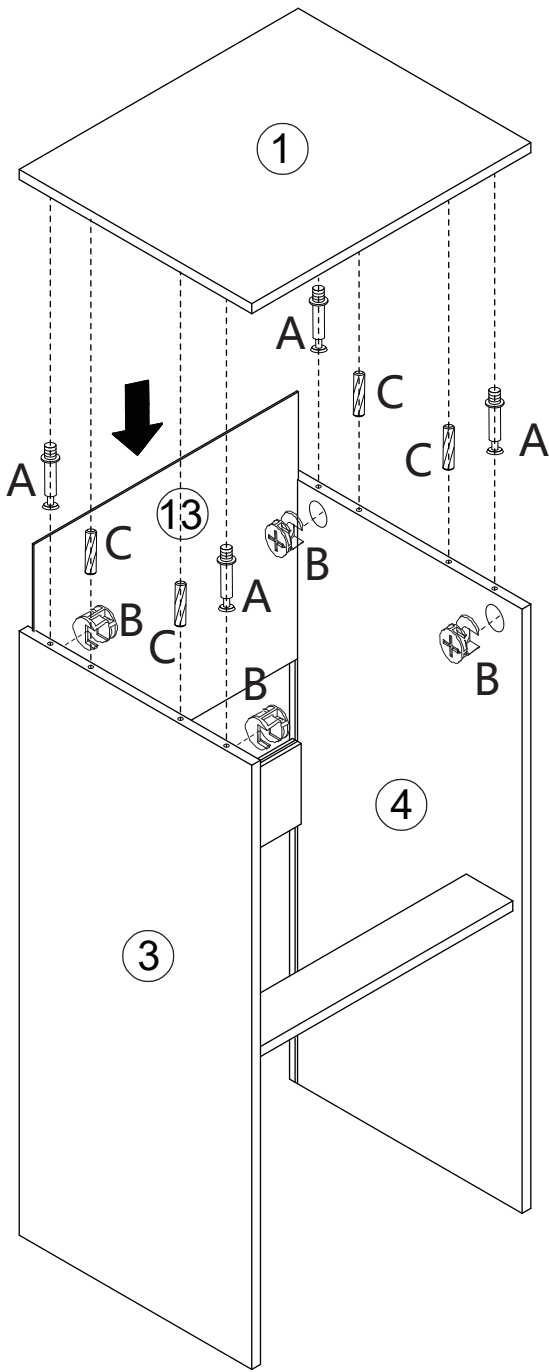
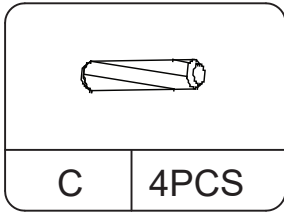
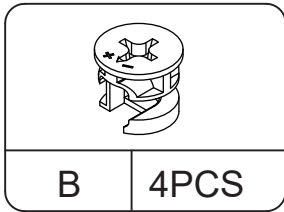
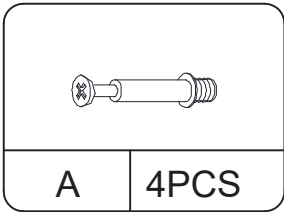
	
I	24PCS



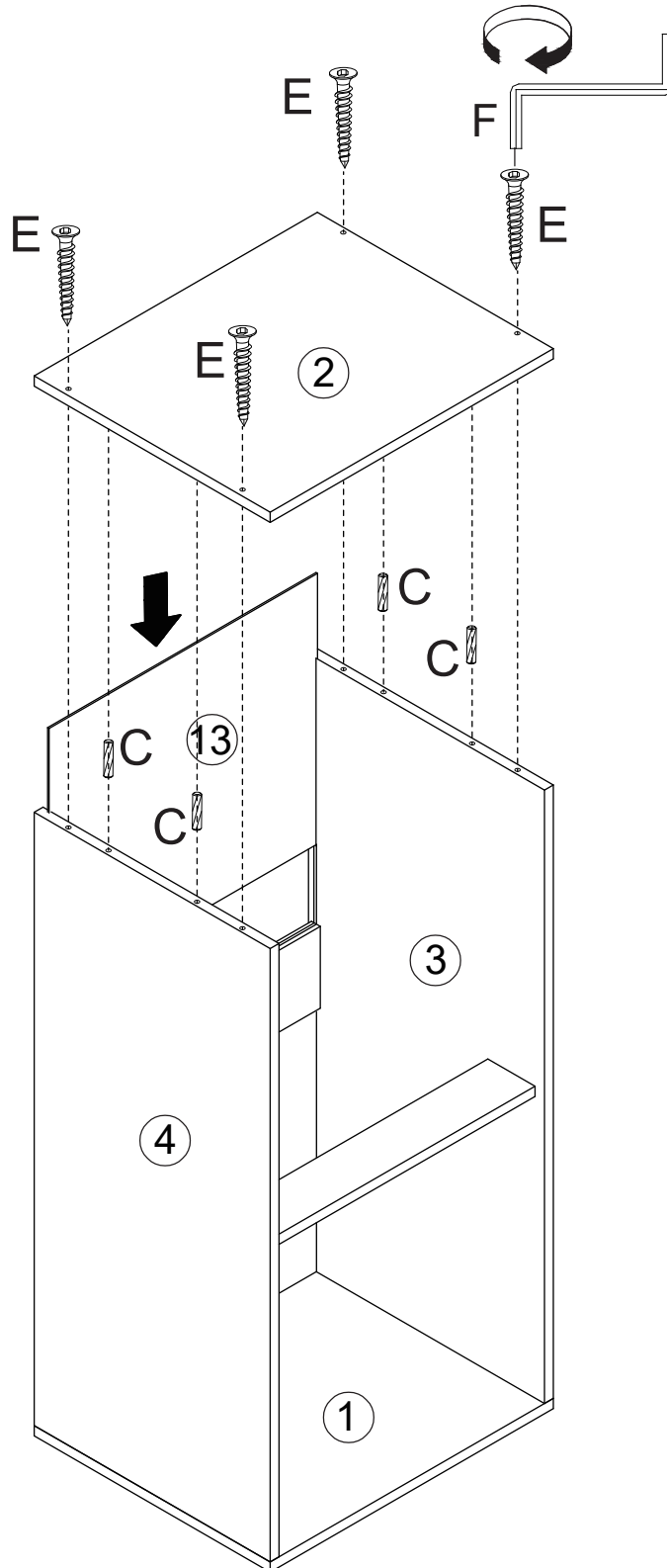
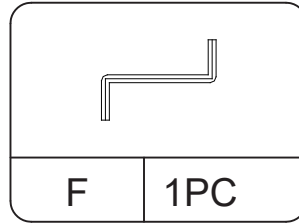
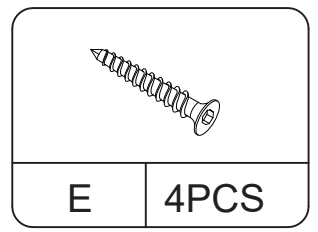
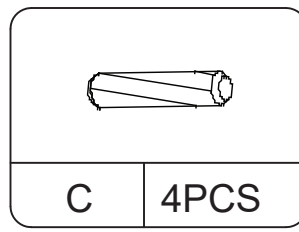
Step 2



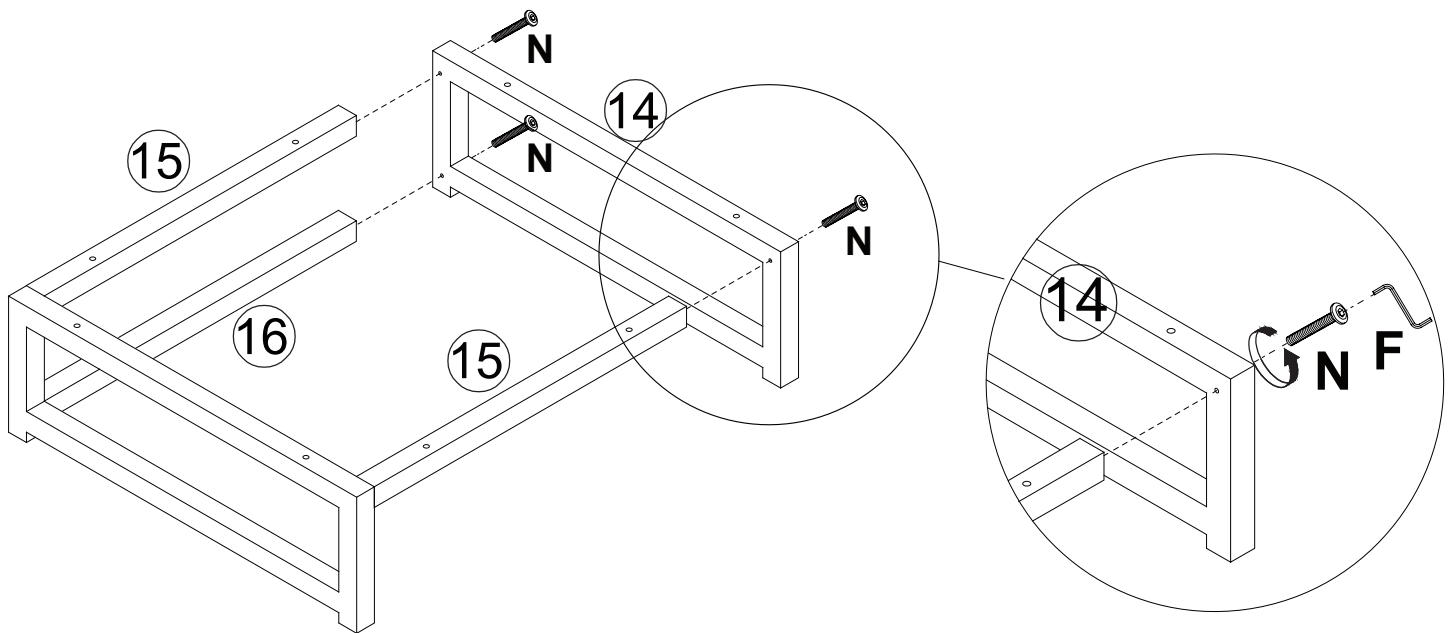
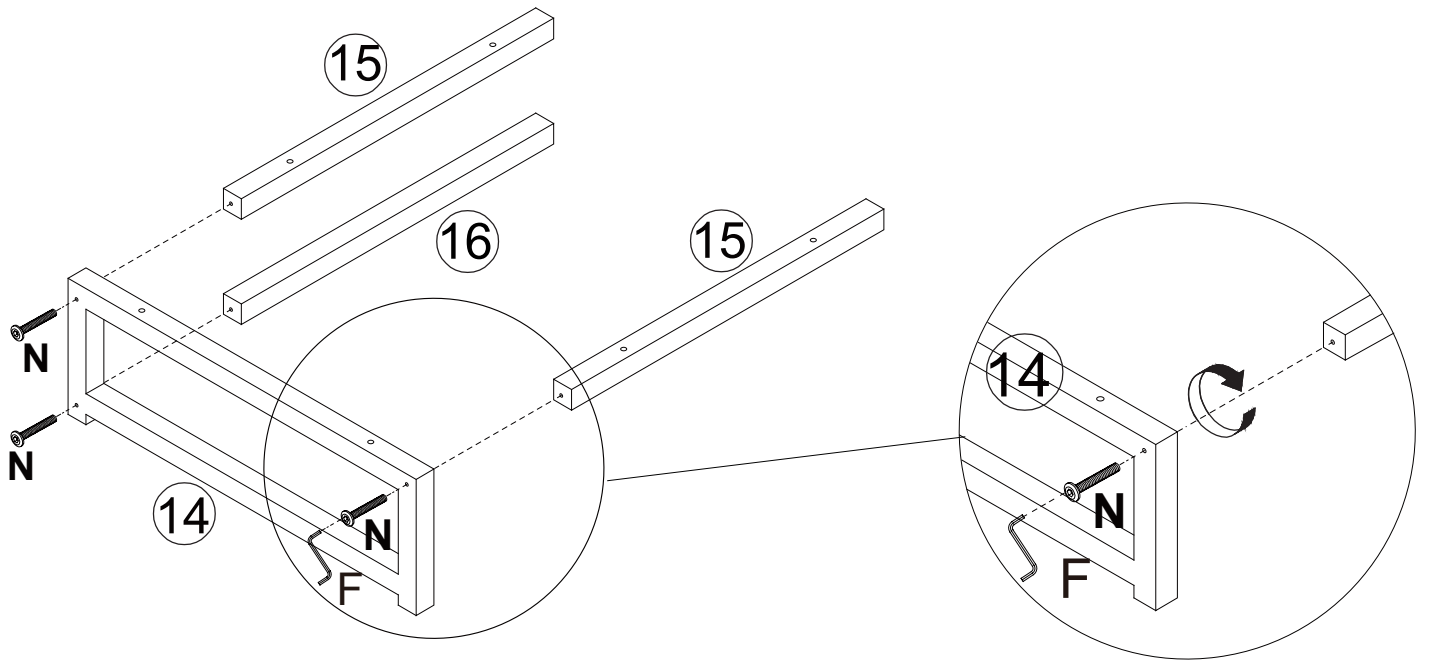
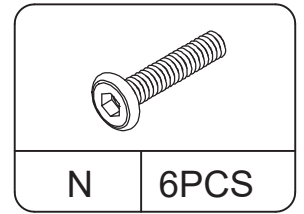
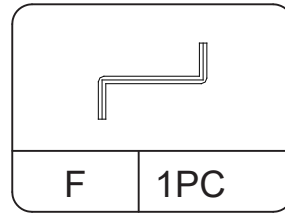
Step 3



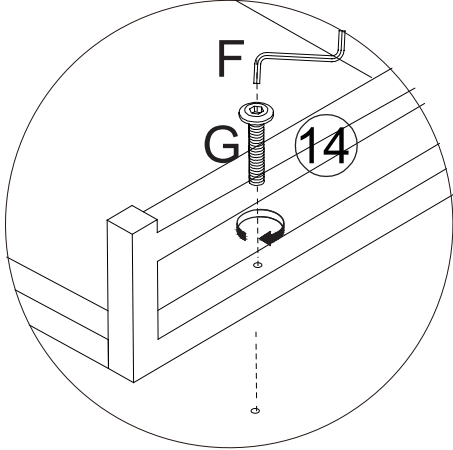
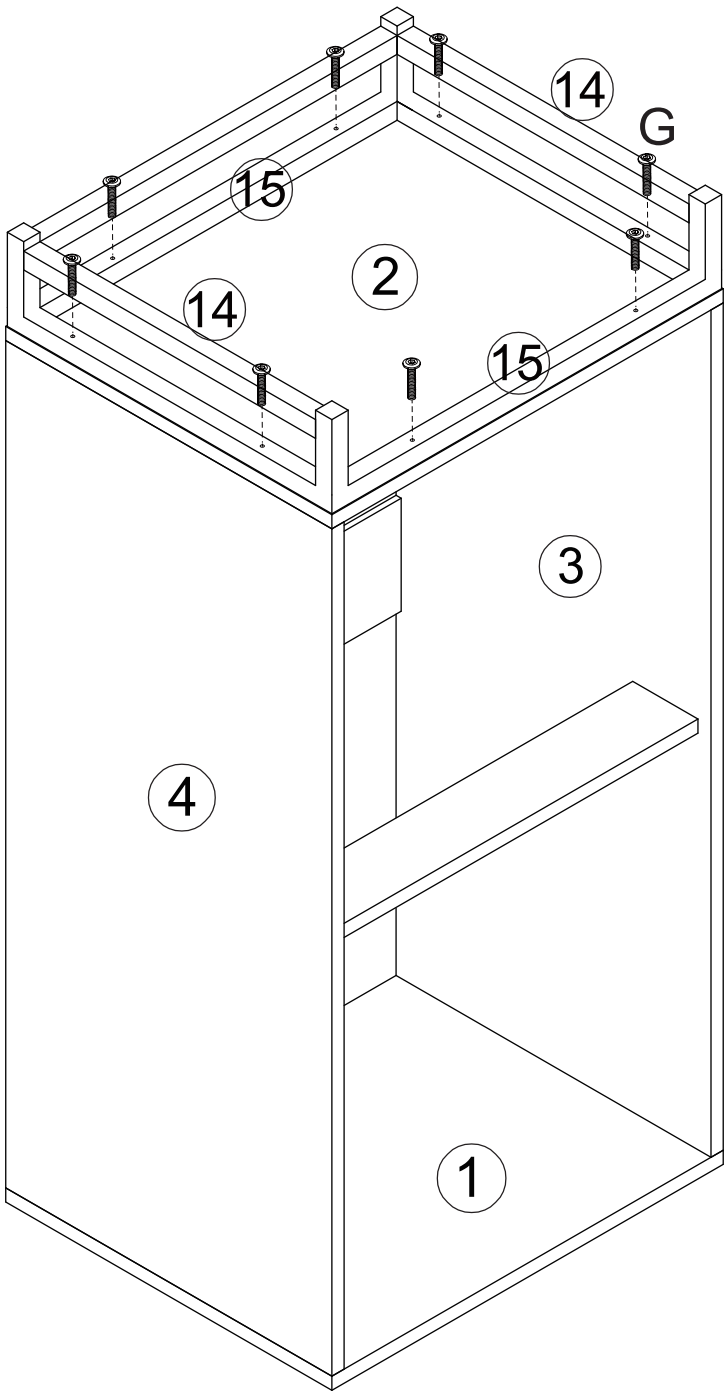
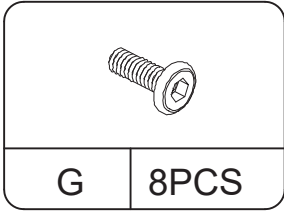
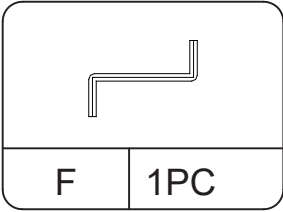
Step 4



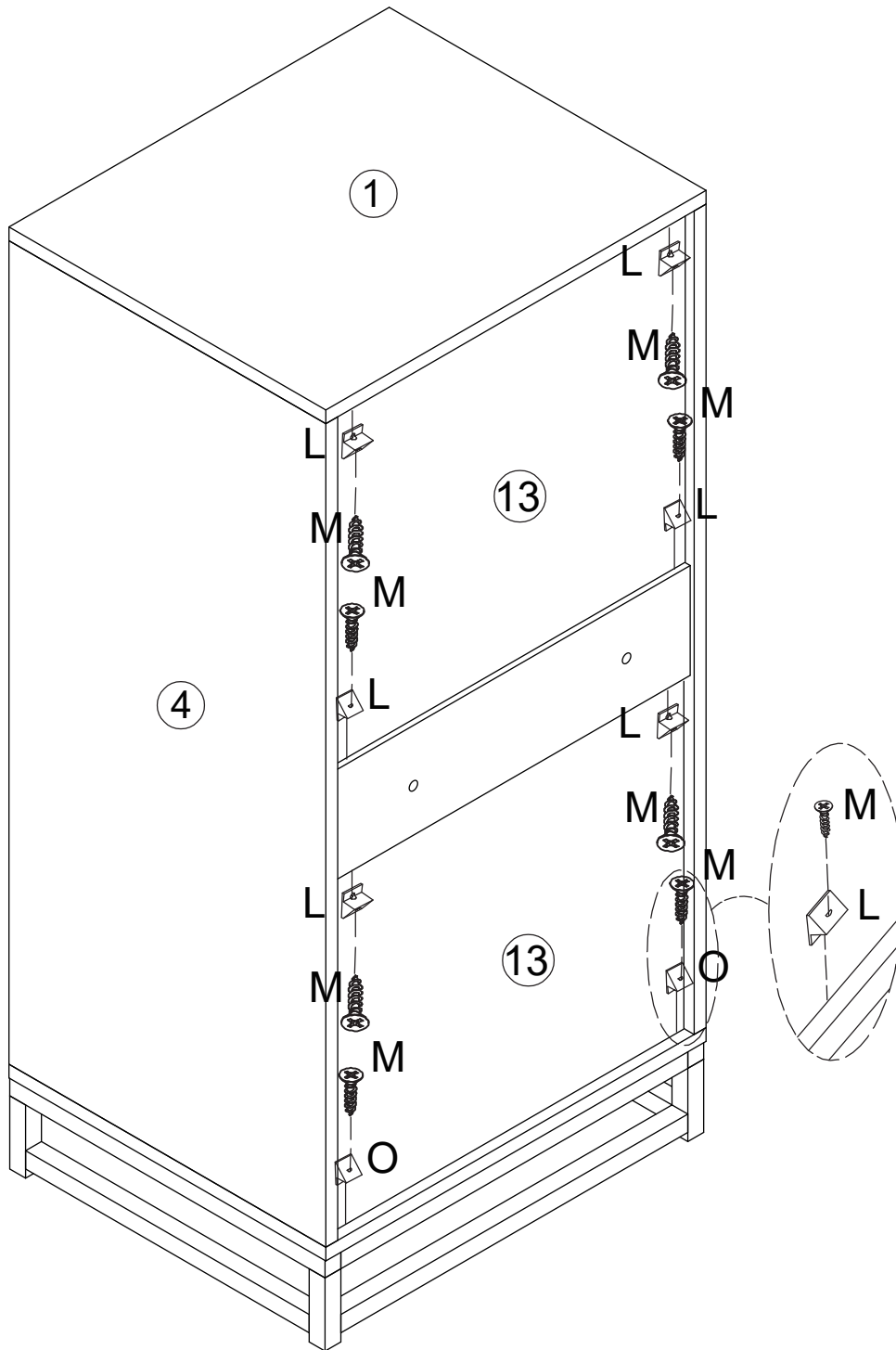
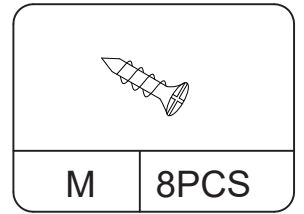
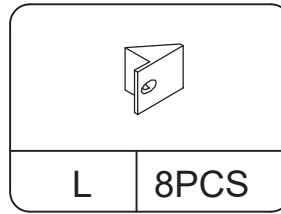
Step 5



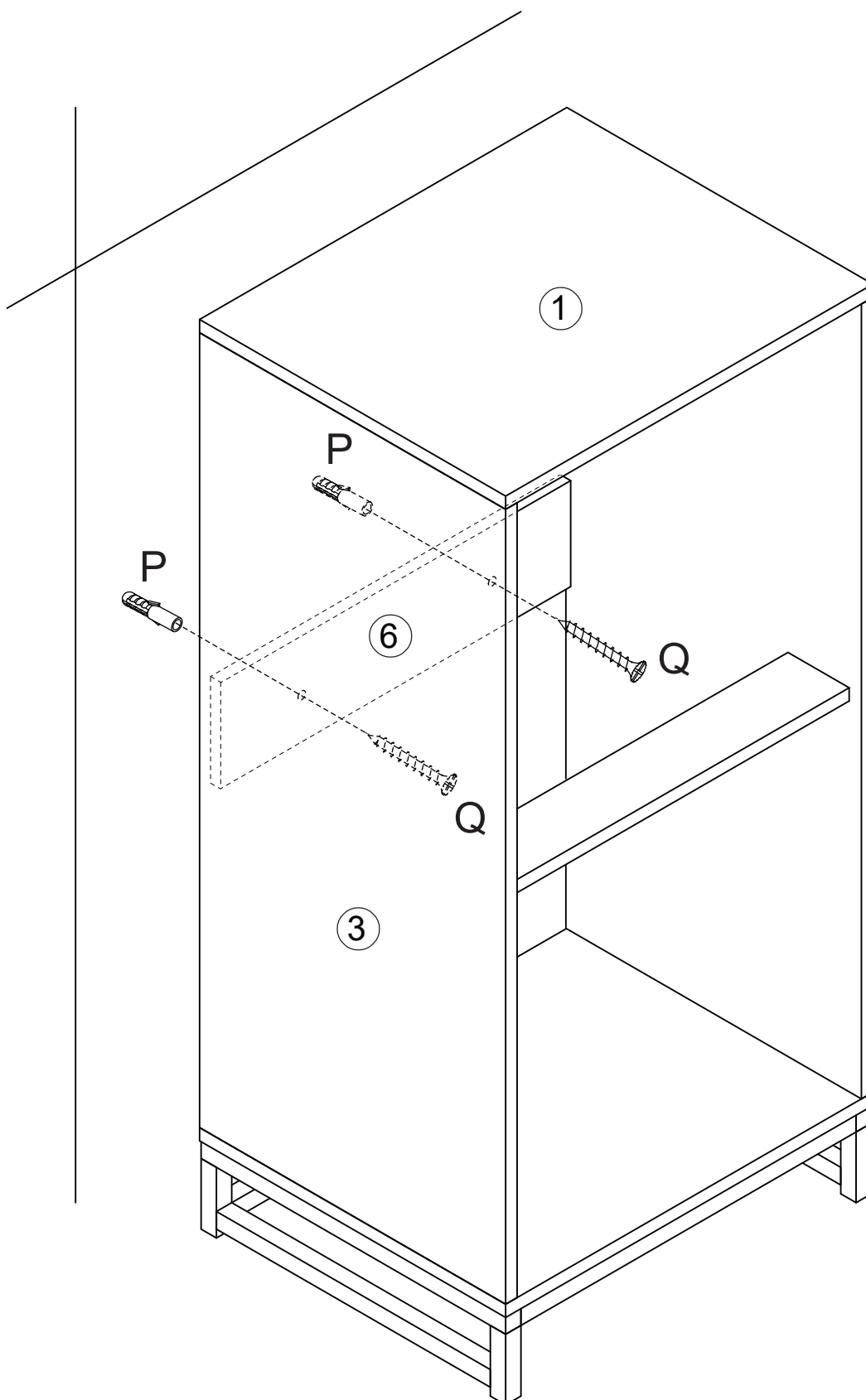
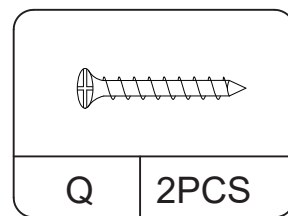
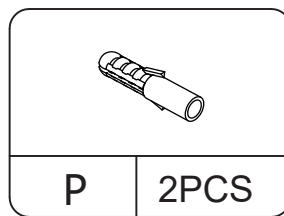
Step 6



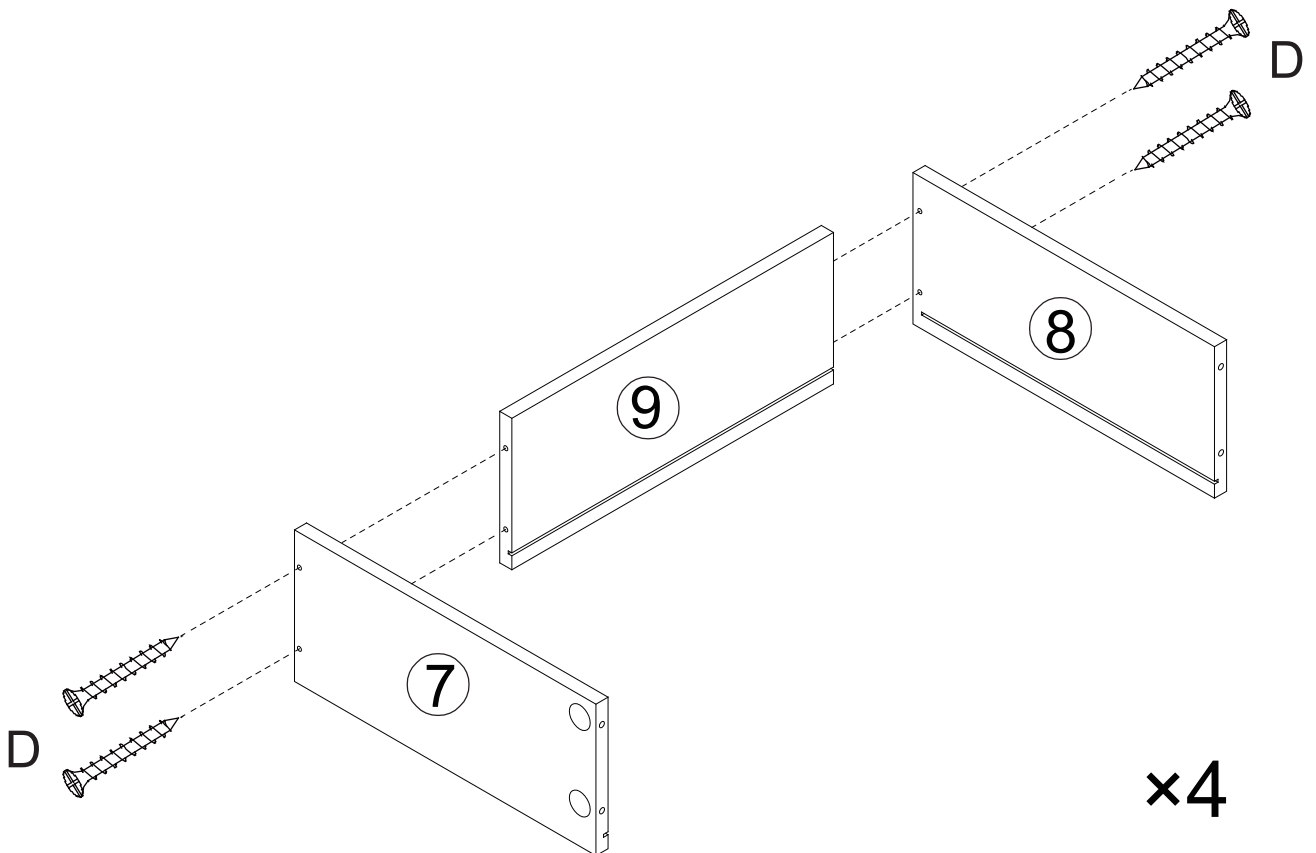
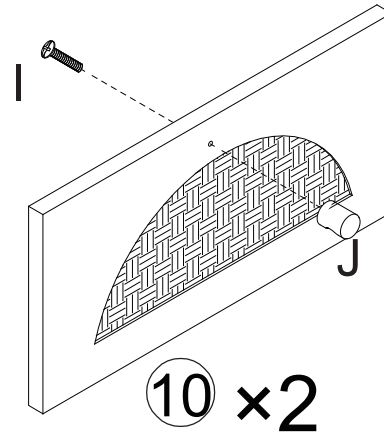
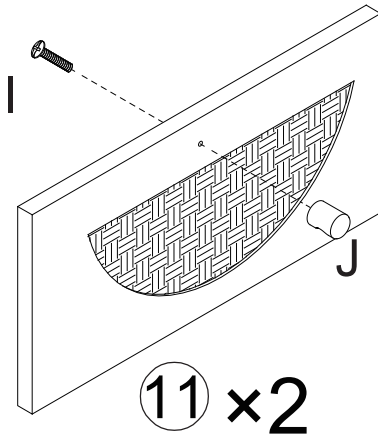
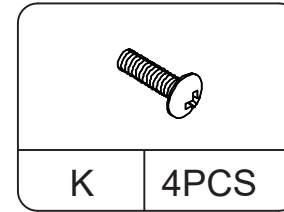
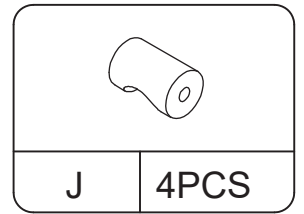
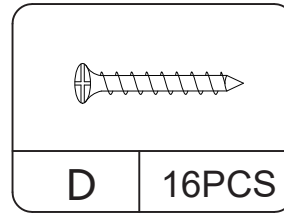
Step 7



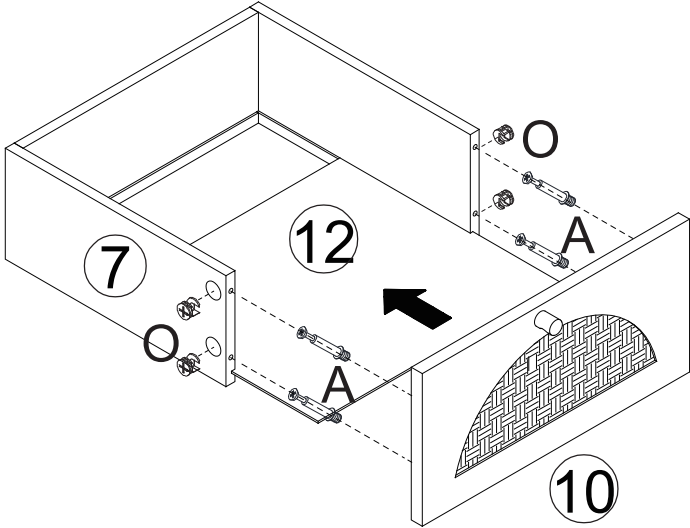
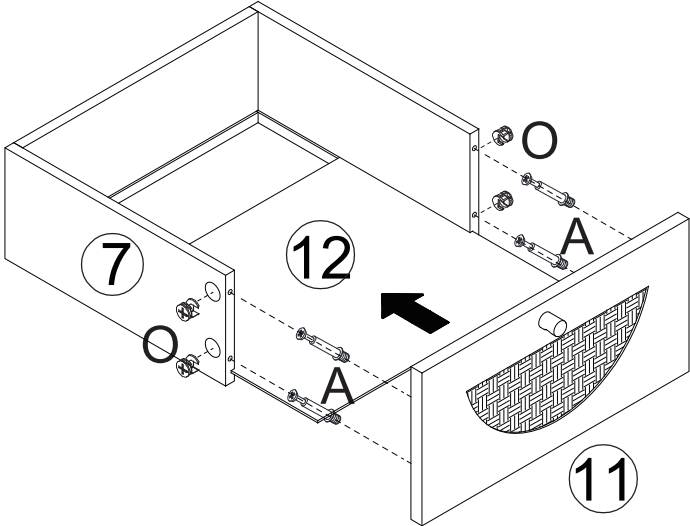
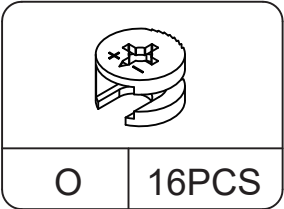
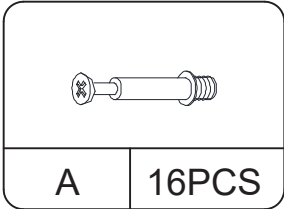
Step 8



Step 9

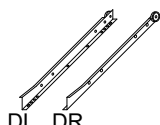



Step 10

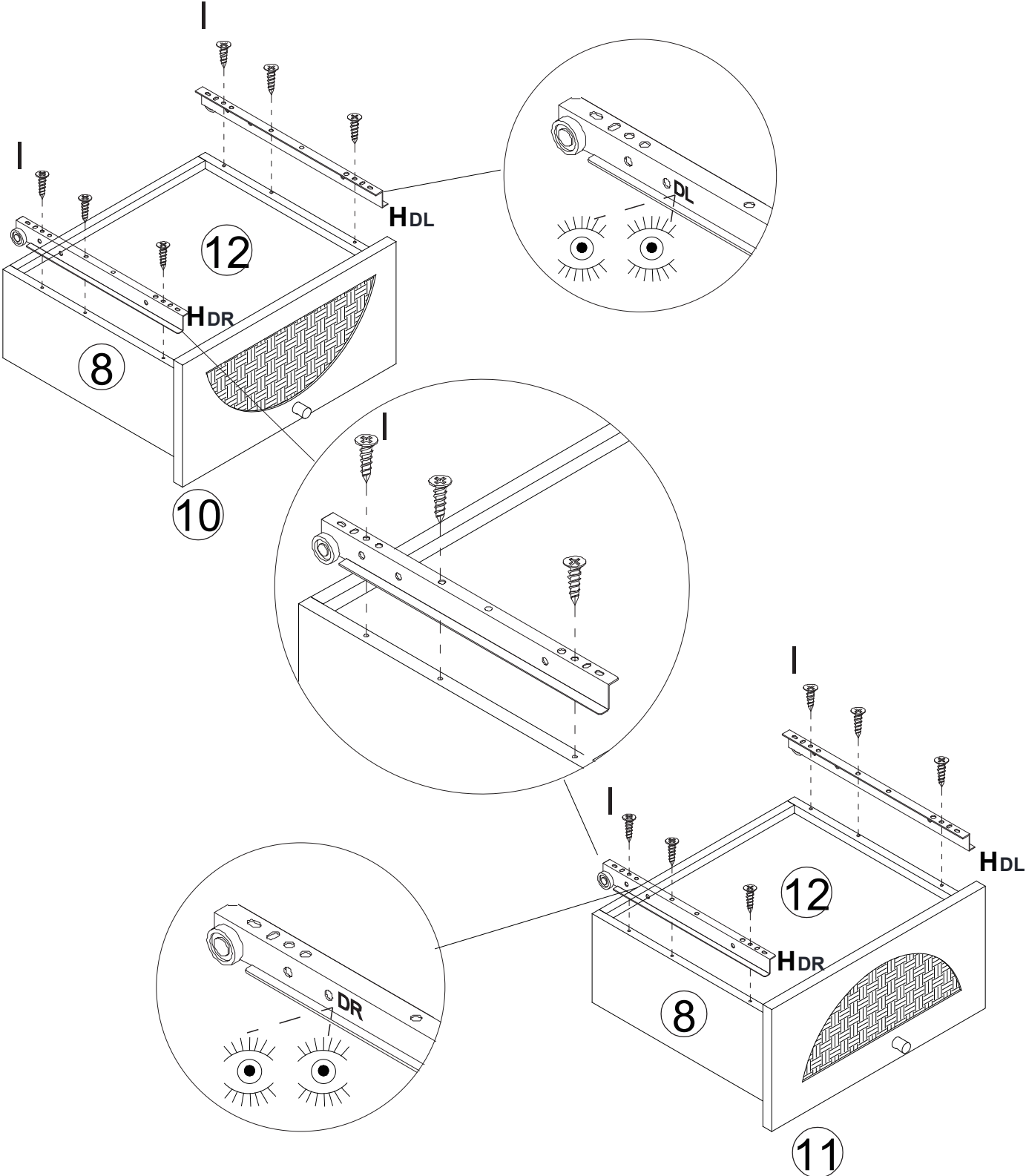


×2

Step 11

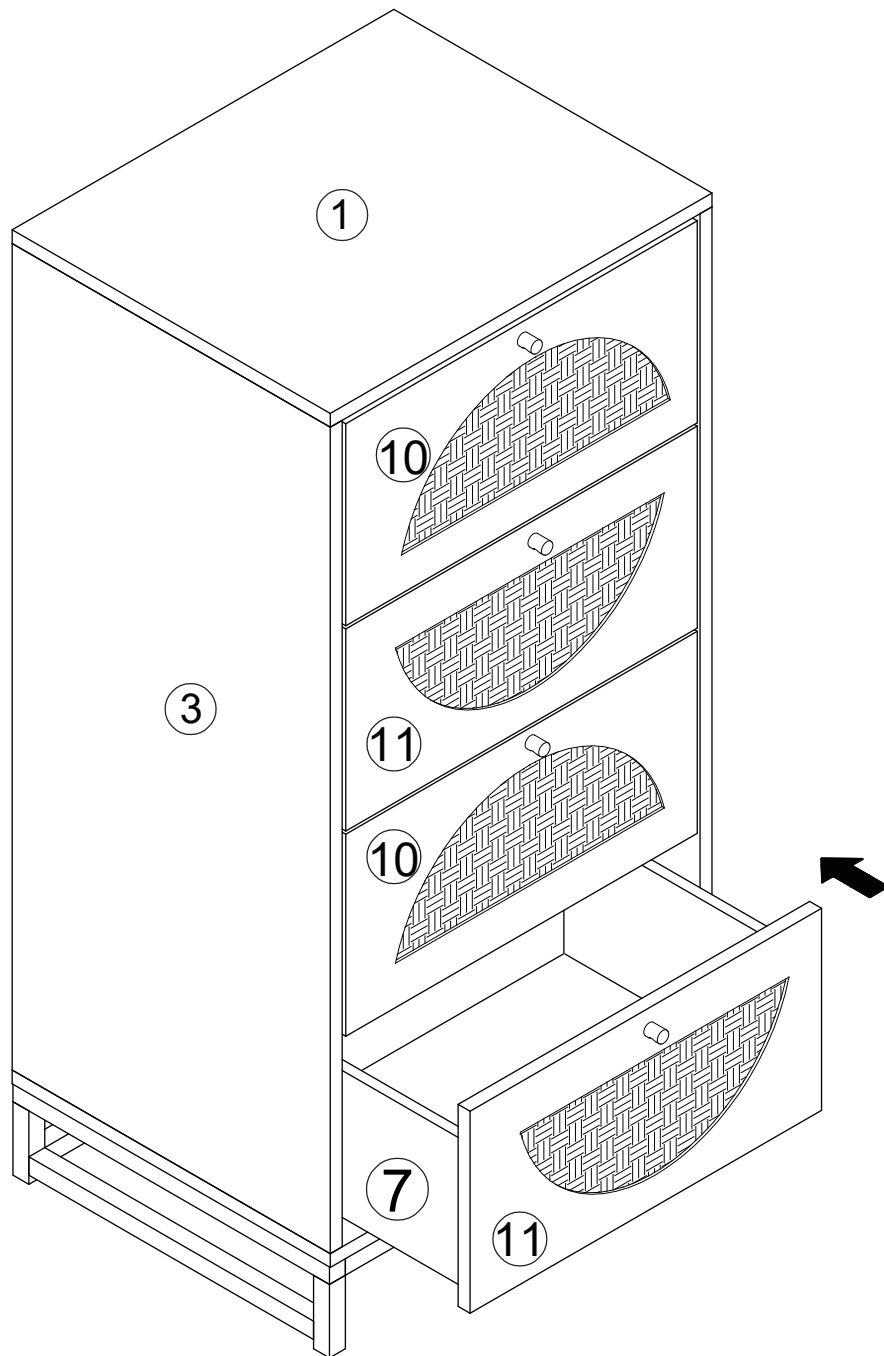
	
H	4PCS

	
I	24PCS



×2

Step 12



Proper Use

- DO NOT** use for commercial purposes
- DO NOT** use as a step stool or stand on table
- DO NOT** put hot serving liquid directly on the table top
- DO NOT** leave spilled liquid on the table top
- DO NOT** use table if damaged
- DO NOT** exceed weight limit
- DO NOT** make temporary repairs
- DO NOT** use outdoor