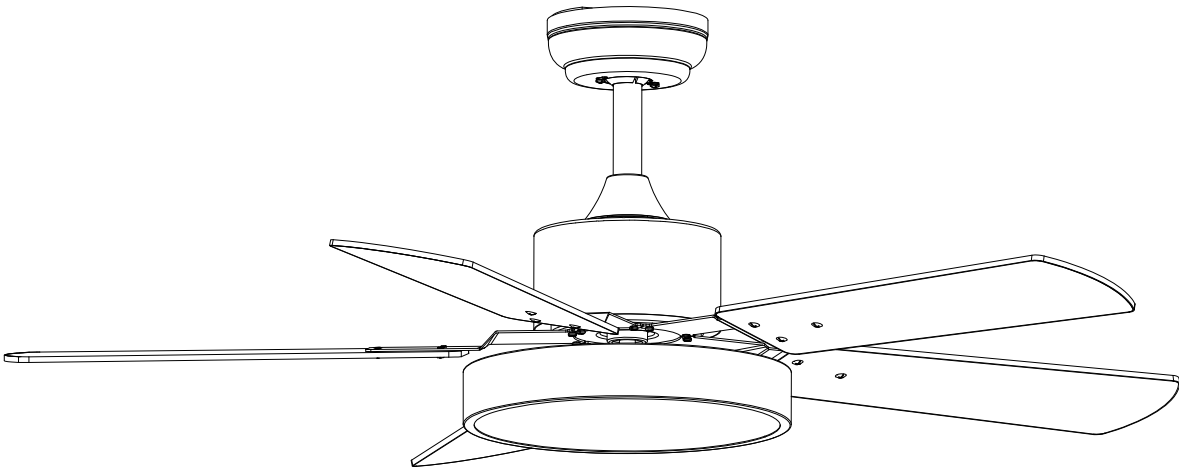


CEILING FAN with LIGHTING KITS



Owner's Manual
Read And Save These Instructions

Installing Your Fan

Safety Precaution

IMPORTANT: PLEASE READ BEFORE INSTALLATION

1. Installation must be carried out by a qualified wiring installer.
2. Turn off the electrical mains at the circuit breaker fuse box.
3. When mounting the fan, ensure that the safety cable is loop across the ceiling mounting hook.
4. The ceiling mounting hook must be able to with hold a min of 70 pounds.
5. Do not install the appliance less than 2.3M from the ground and 1M from the wall to the blades.
6. Do not place any objects in the path of the blades.
7. When all electrical connections are done, store all wires neatly.
8. Make sure that all screws and connection are tightly screwed and secure.

WARNING

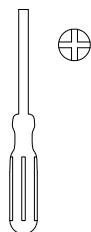
TO REDUCE THE RISK OF PERSONAL INJURY. DO NOT BEND THE BLADE BRACKETS DURING ASSEMBLY OR AFTER INSTALLATION DO NOT INSERT OBJECTS THE PATH BLADES.

WARNING

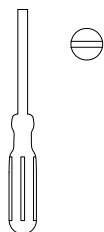
TO REDUCE THE RISK OF SHOCK. THIS FAN MUST BE INSTALLED WITH AN ISOLATION WALL CONTROL/SWITCH

Installing Your Fan

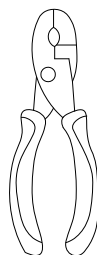
Tools Required



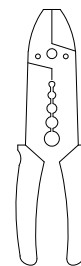
Phillips
screwdriver



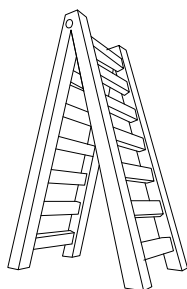
Flat blade
screwdriver



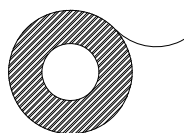
Pliers



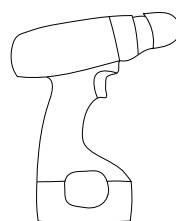
Wire Strippers



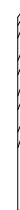
Ladder



Electrical
tape



Power Drill
(optional)



9/64" Drill Bit
(optional)

If mounting to a support structure,
you will also need these tools.

Tools Required

If there is no existing mounting box, then read the following instructions. Disconnect the power by removing the fuses or by turning off the circuit breakers

Secure the outlet box directly to the building structure. Use appropriate fasteners and building materials. The outlet box and its support must be able to fully support the moving weight of the fan (at least 70 lbs). Do not use plastic outlet boxes.

WARNING

TO REDUCE THE RISK OF FIRE, ELECTRIC SHOCK, OR OTHER PERSONAL INJURY, MOUNT FAN ONLY TO AN OUTLET BOX MARKED ACCEPTABLE FOR FAN SUPPORT AND USE THE MOUNTING SCREWS PROVIDED WITH THE OUTLET BOX. OUTLET BOXES COMMONLY USED FOR THE SUPPORT OF LIGHTING FIXTURES MAY NOT BE ACCEPTABLE FOR FAN SUPPORT AND MAY NEED TO BE REPLACED. CONSULT A QUALIFIED ELECTRICIAN IF IN DOUBT

Installing Your Fan

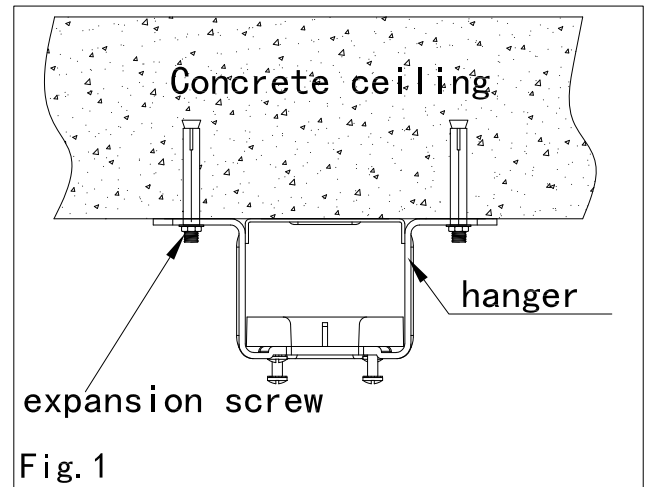
1. Hanger Options

To avoid possible electrical shock, before installing your fan, disconnect the power by turning off the circuit breakers to the outlet box associated with the Wall switch location.



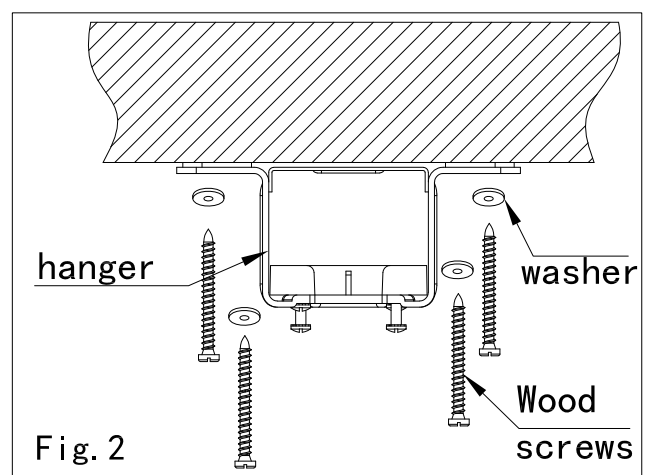
1A. Installing the Hanger

- 1, For the Concrete Ceiling: Mark the location for the ceiling fan first, then drill two holes in the ceiling to aid in securing ceiling bracket with two expansion screws provided, and secure the hanger to the building structure with two expansion screws provided, tighten the screws. (Fig. 1)



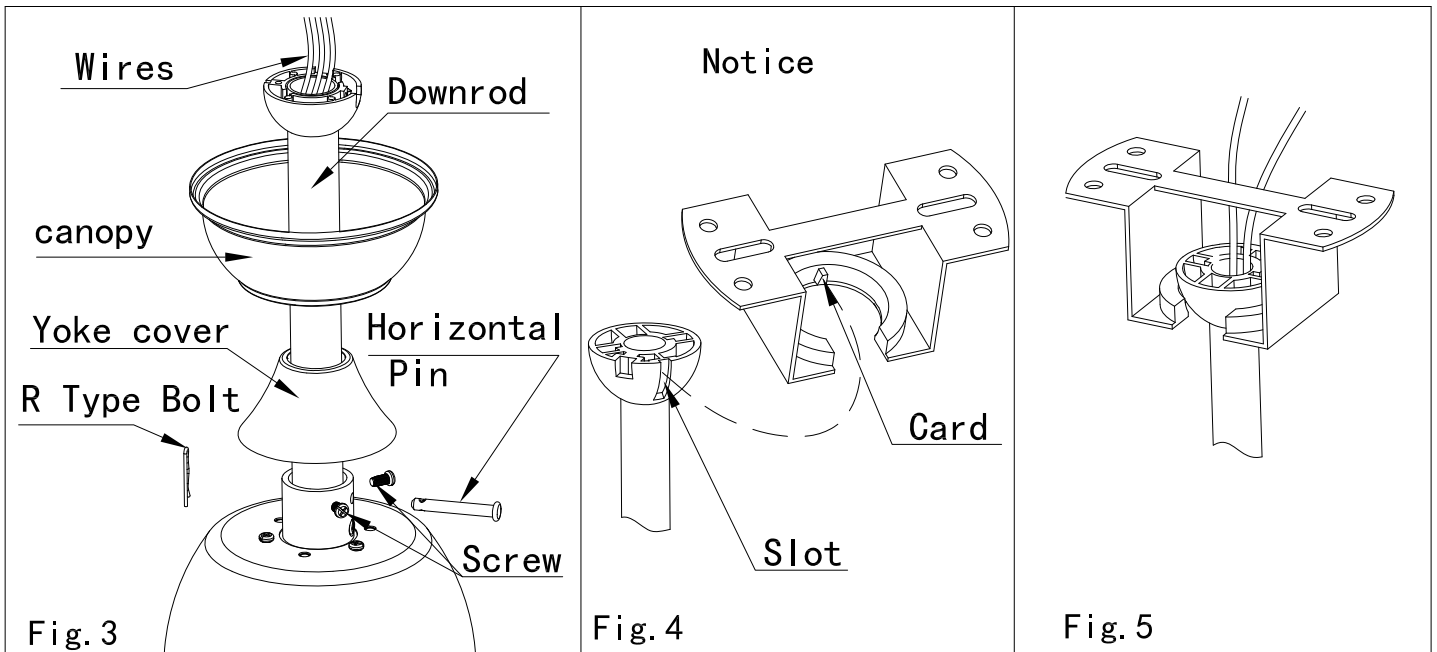
1B. Installing the Hanger

1. For the Wood Ceiling: Mark the location for the ceiling fan first, secure the hanger to the building structure with four wood screws and washer provided. (Fig. 2)



Installing Your Fan

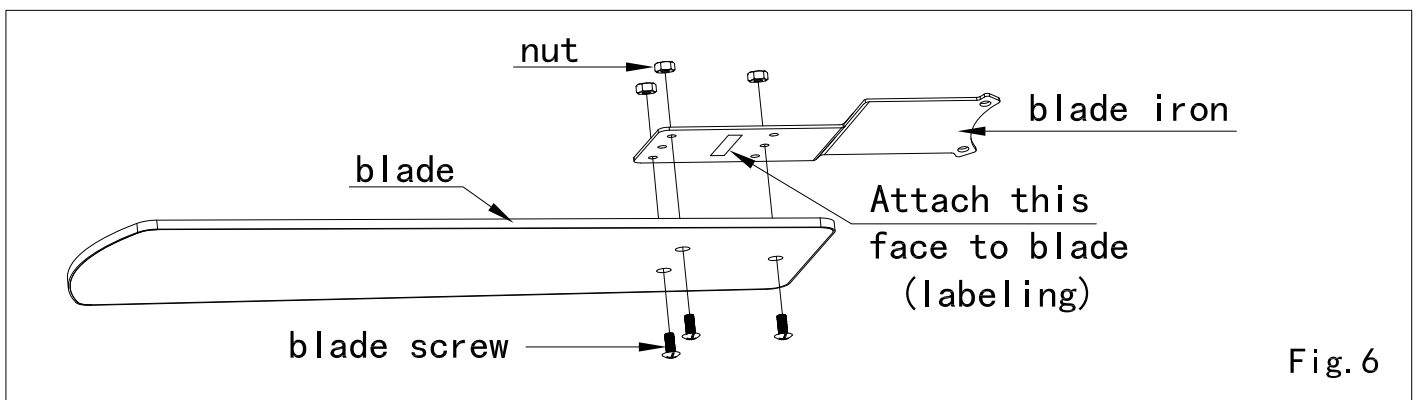
2. The suspension system installation



- 2.1, Take out the horizontal pin and R type bolt from downrod for use. Then put the downrod through into canopy and yoke cover in the end, put the fan wire through into downrod. (Fig. 3)
- 2.2, Put downrod into the connector of motor, place it at correct hole location, then insert the horizontal pin and R type bolt, and locked the two horizontal screws nearby. Then move the yoke cover to the top of motor. (Fig. 3)
- 2.3, A ceiling fan hanging on the hanger, and the hanger job slot aligned with a card. (fig.4 and 5)

3. Attaching the Fan Blades

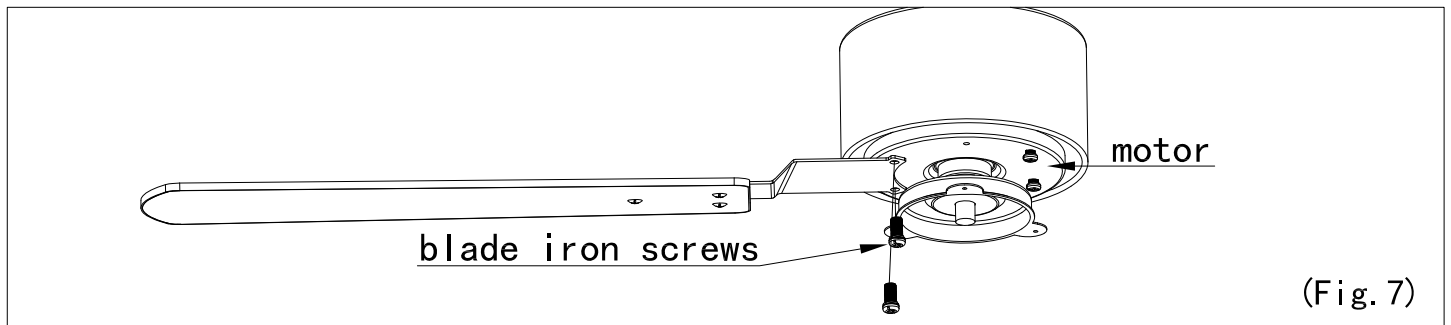
- 3.1, blade iron and blade alignment hole alignment tighter the blade screws and nut. (Fig. 6)
- 3.2, Repeat steps for the remaining blades.



Installing Your Fan

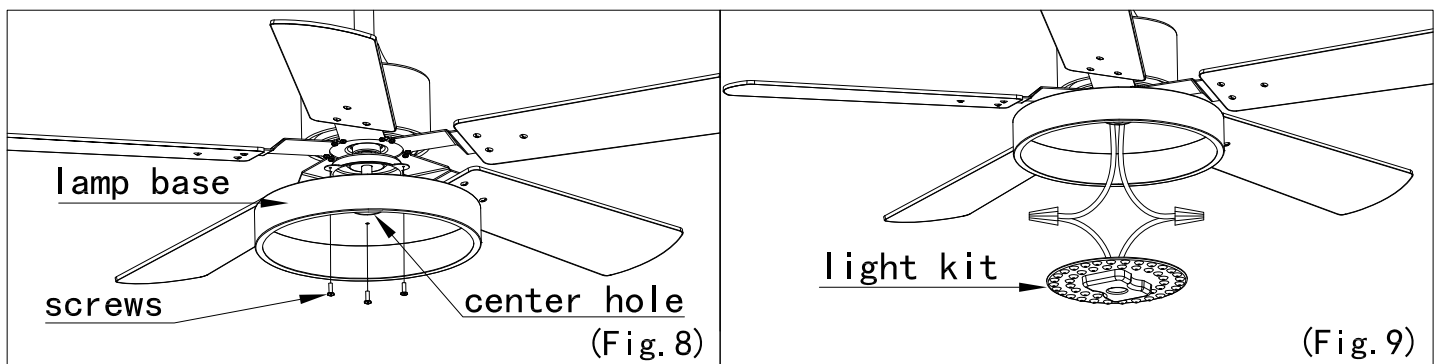
4. Blade assembly installation

- 4.1, Remove blade iron screws from fan motor(Fig.7)
- 4.2, Attach the blade assembly to the motor with blade iron screws.(Fig.7)
- 4.3, Repeat this step for each blade assembly. (Fig.7)



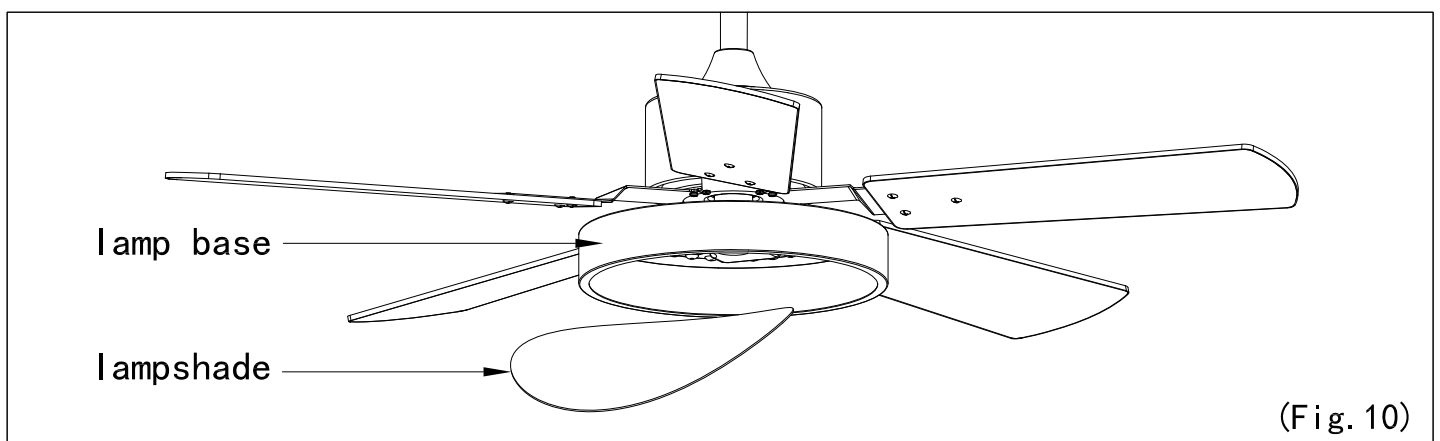
5. Install on light kits

- 5.1, Feed the wire through the center hole of the lamp base. (Fig.8)
- 5.2, Fix the lamp base with screws, then connect wire with motor by Wiring cap. then put on the light kit by magnet. (fig.8 and 9)



6. The lampshade installation

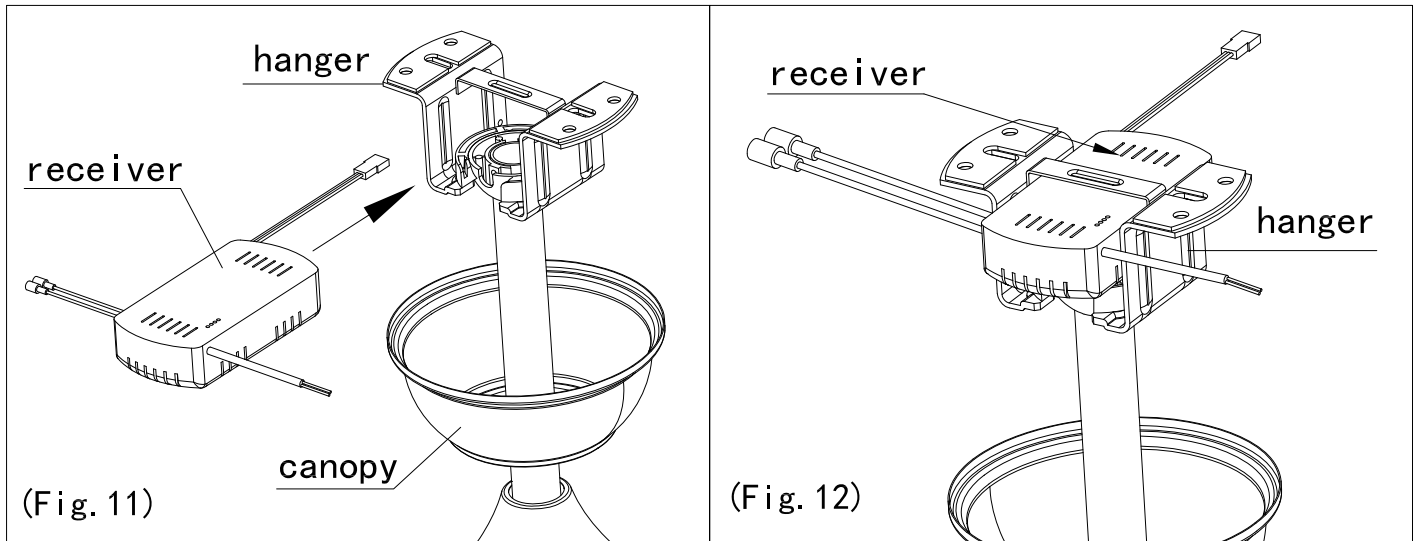
- 6.1, Bend the lampshade a little and put it in the lamp base. (Fig.10)



Installing Your Fan

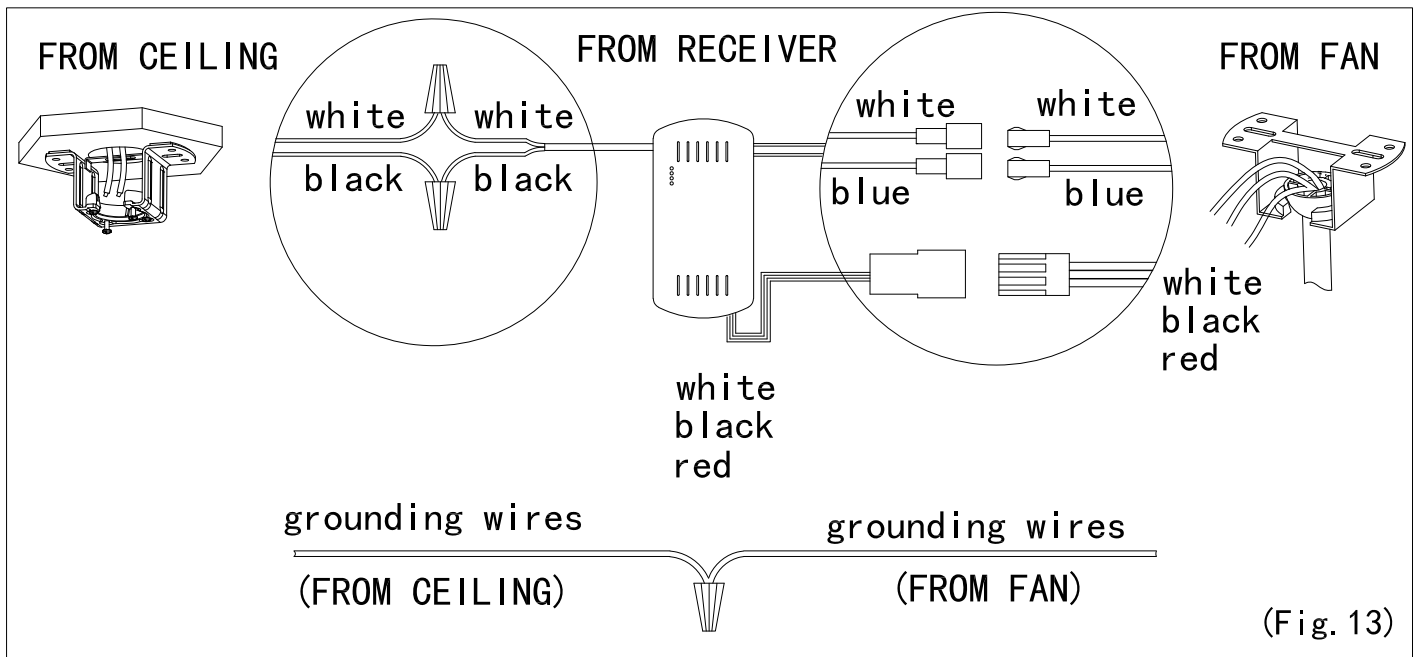
7. The receiver installation

7.1, Put the receiver in the hanger. (FIGS. 11 and 12)



8. Wiring

8.1. Wiring according to the wiring diagram. (Fig. 13)

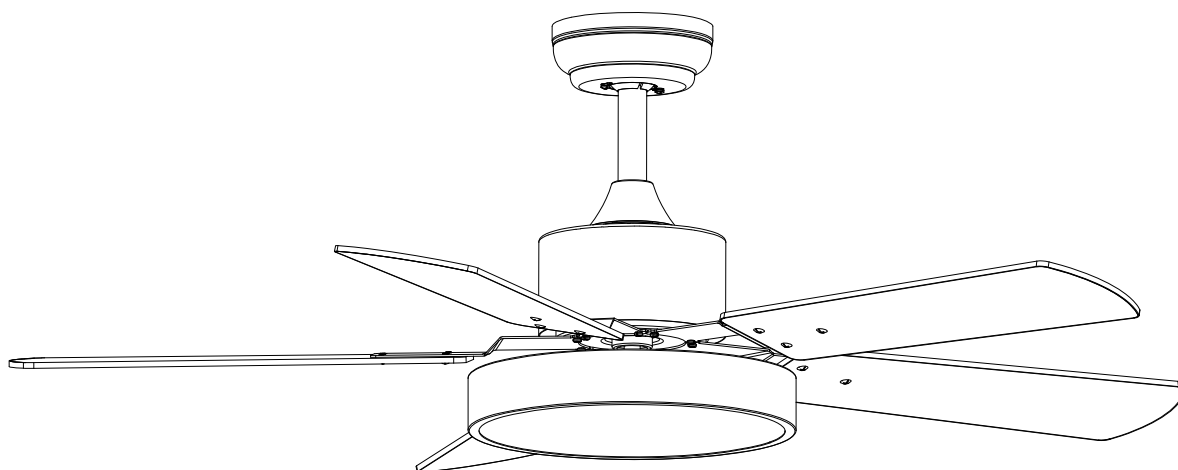
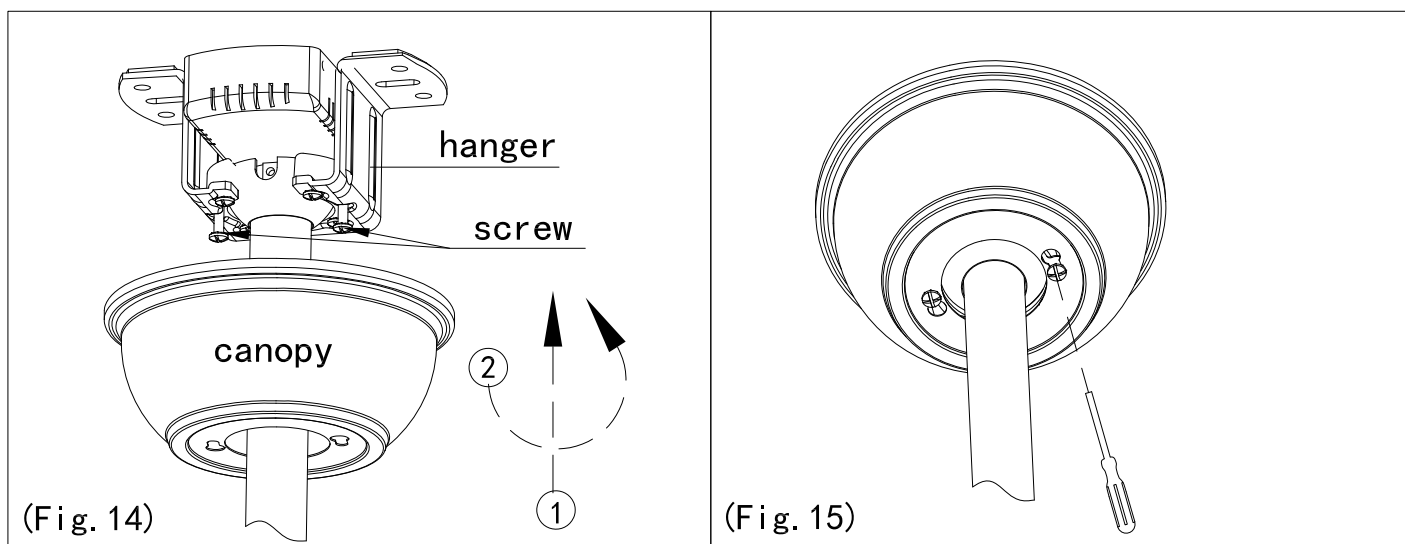


Installing Your Fan

9. Attaching the Canopy

9.1, Slide the canopy up to the ceiling and attach it to the hanger with the screws provided. Tighten all screws securely.

(FIGS. 14 and 15)



CONGRATULATIONS!
YOU'RE DONE!