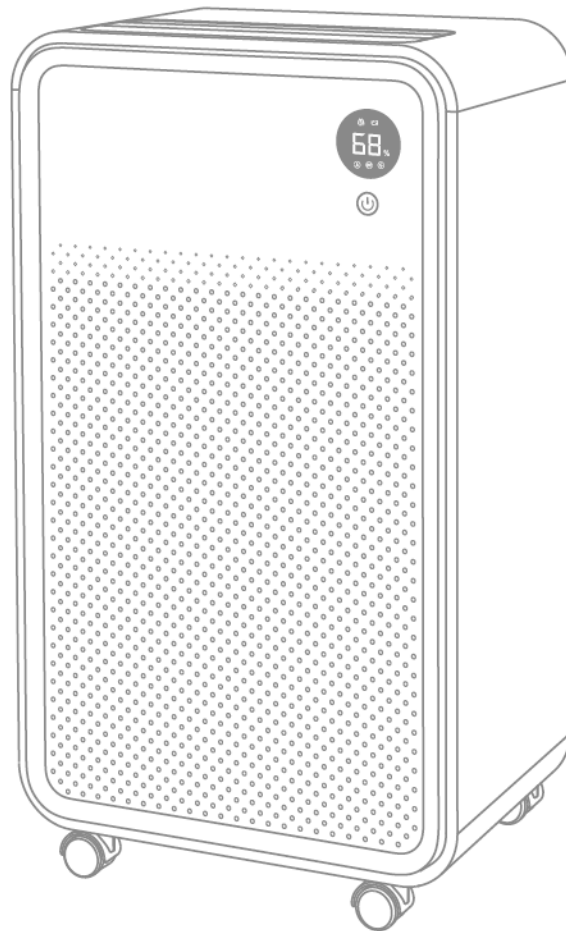


DEHUMIDIFIER

INSTRUCTION MANUAL



Please keep this manual carefully for further reference!

CONTENT

| | |
|---------------------------|---|
| CAUTIONS | 1 |
| PARAMETERS | 2 |
| FEATURES..... | 2 |
| PRODUCT DISCRIPTION | 3 |
| DIGITAL DISPLAY | 3 |
| OPERATRIONS..... | 4 |
| MAINTENANCE..... | 6 |
| TROUBLE SHOOTING..... | 9 |

CAUTIONS



Please read the operating instructions carefully before using your dehumidifier for the first time.

1. Install the unit on flat and hard floor to diminish vibration or noise.
2. Never immerse the unit in water or other liquids.
3. Never operate the unit if the cable or other connector is damaged, or something abnormal may happen, please call customer service for help.
4. Disconnect the unit from power supply when it is not in use, or before relocating or cleaning it.
5. Operate the unit only at the voltage specified.
6. The unit is for indoor use only. Don't use it for other purpose.
7. Do not put heavy objects on the appliance.
8. Do not tip the unit to any side as spilled water may damage the appliance.
9. Never insert any other object into the unit body to avoid any hazard or unit failure.
10. Do not put the unit close to heat-generating devices or near flammable and dangerous materials.
11. This appliance is not intended for use by persons (including children) with reduced physical, sensory or lack of experience and knowledge, unless they have been given supervision or instruction concerning use of the appliance by a person responsible for their safety. Children should be supervised to ensure that they do not play with the appliance.
12. If the supply cord is damaged, it must be replaced by the manufacturer or its service agent or a similarly qualified person in order to avoid a hazard.
13. The appliance must be positioned so that the plug is accessible.
14. The appliance shall be installed in accordance with national wiring regulations.
15. The ambient temperature range for the appliance is 41°F-95°F (5°C-35°C).



Don't try to repair, dismantle or remold such appliance, or it may make some damage. Even the change of power cord should be done by special qualified person.

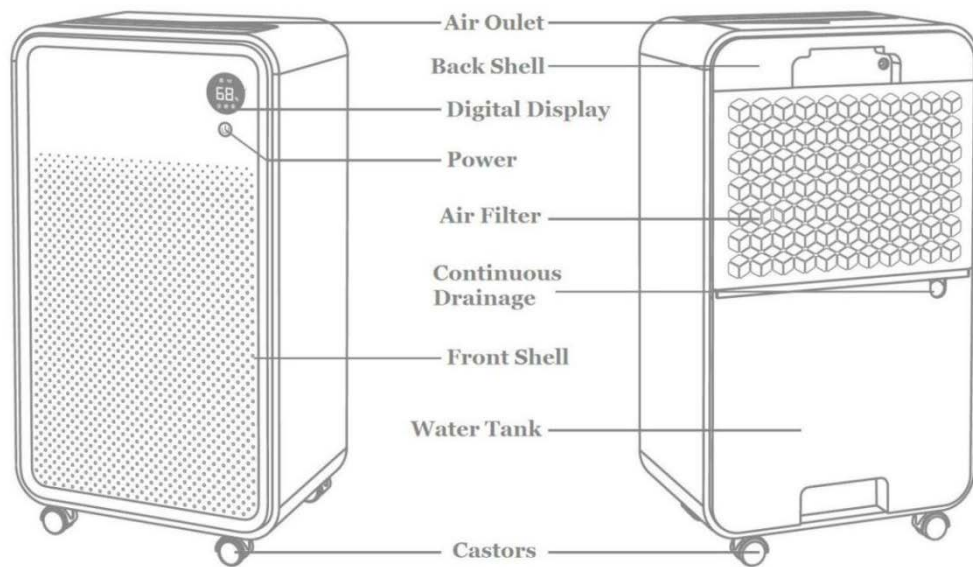
PARAMETERS

| DEHUMIDIFIER | |
|----------------------|----------------------|
| Voltage/Frequency | AC115V 60Hz |
| Noise | ≤36dB(A) |
| Full Water Quantity | 2L |
| Refrigerant Capacity | R134a/3.35oz(95g) |
| Working Temp. | 41°F - 95°F |
| Product Measurement | 19.6 x 11 x 7.8 inch |
| Net Weight | 26.4 lbs |

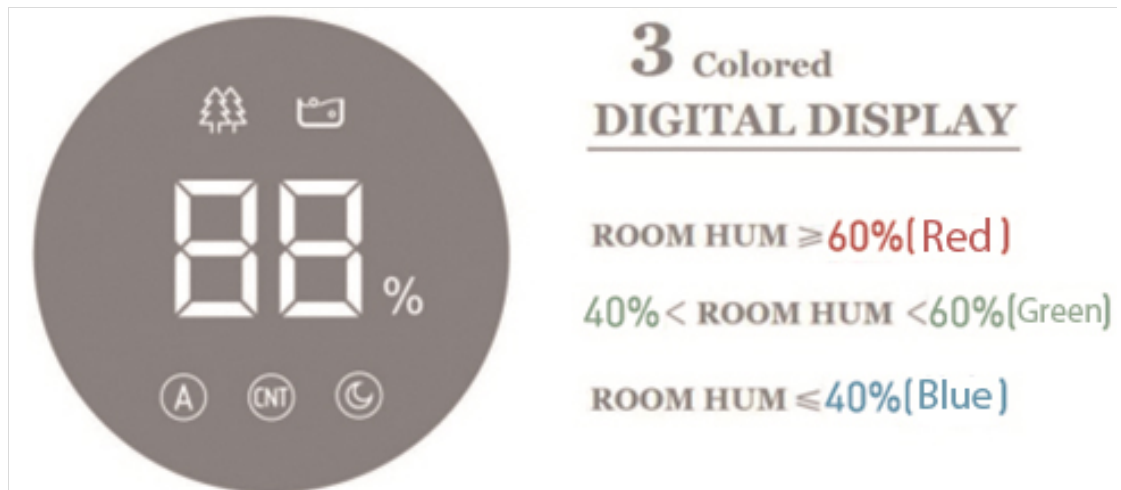
FEATURES

- One key easy operation
- Three optional modes (AUTO, CNT, SLEEP)
- Compact and modern design
- Air purifying with ionizer
- Extremely quiet operation (36dB(A))
- Auto defrosting

PRODUCT DESCRIPTION



DIGITAL DISPLAY



INDICATORS



OPERATIONS



POWER/FUNCTION BUTTON

Turn the dehumidifier on

Plug in the unit, the display screen flashes for one second, it buzzes and the screen shows "- -". Now the unit is on standby.

- Press POWER button, the dehumidifier turns on and enters AUTO mode.



Lights up when in AUTO mode and the fan runs at high speed.

- Press the POWER button to switch between the following modes.



Flashes for 3 seconds and lights up when press the power button again. The unit enters CONTINUOUS drying mode and the fan runs at high speed.



Flashes for 3 seconds and lights up when press the power button again. The unit enters SLEEP mode and the fan runs at low speed.

Modes toggling is as follows:



Turn the dehumidifier off

Long press the POWER button for 3 seconds, the screen shows "- -", the compressor stops immediately and the fan stops 30 seconds later.

Modes Explanation



AUTO MODE

If ambient humidity $\leq 47\%$. Then the compressor stops, the fan stops 30 seconds later.

If ambient humidity $\geq 53\%$ fan running at high speed for 3 seconds, compressor start working.



CNT/DRY CLOTHES MODE

In CNT mode, the dehumidifier continuously runs at high fan speed until the ambient humidity reaches 20%. It is suitable for clothes drying or conditions that require continuous dehumidification.



SLEEP MODE

If ambient humidity $\leq 47\%$. Then the compressor stops, the fan stops 30 seconds later.

If ambient humidity $\geq 53\%$ fan running at low speed for 3 seconds, compressor start working.



Water Tank Full Alarm

Water Tank Indicator

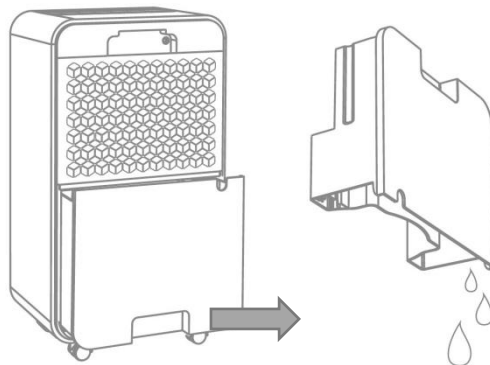
- When the tank is full for 5 seconds, it sets the alarm. The water tank indicator turns red and the unit buzzes for 15 times.

Clear the alarm

- When the buzz is on, press the POWER button to stop it. The compressor, fan and ionizer generator shut down and all the functions freeze until the tank is emptied and back in right position.

Empty the tank

- Grab the notch at the bottom of the tank and pull it out with both hands.
Take it slowly and steadily in case of spilled water.



- Empty the water.
- Put the water tank back in position. The dehumidifier automatically starts working again.

MAINTENANCE

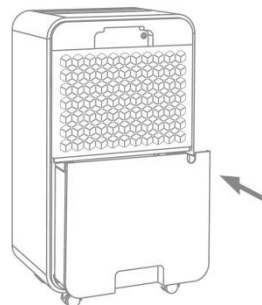
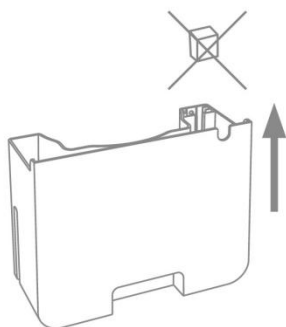
PRECAUTIONS

1

Do not remove the float out of the tank otherwise the dehumidifier cannot start up.

2

Always make sure the water tank is locked into place when putting it back, otherwise the dehumidifier cannot start up.



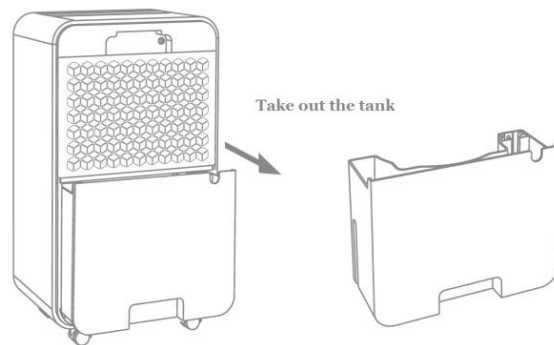
3

If the tank is dirty, wash it with cool/warm water. Do not use cleanser, steel balls, chemically treated dust-proof cloth, gasoline, benzene, thinners or other chemical solvents in case of damage and leakage.

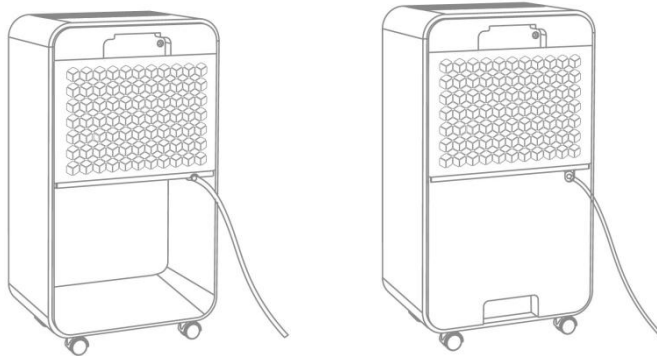
4

Continuous Drain

- Take out the water tank



- Use a water hose (diameter=9.5mm) to connect the water outlet.
- Passes the water hose through the cutting hole in the tank and put the tank back.

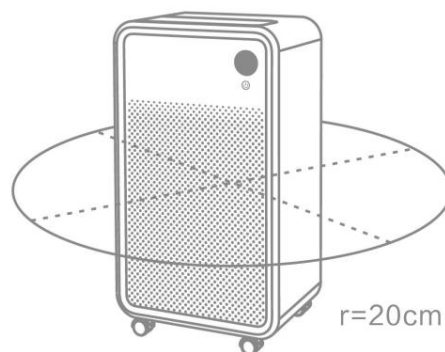


For continuous drainage, the end of the hose should not be submerged in water to prevent it from being blocked or damaged.

5

Spacing

When the dehumidifier is in operation, make sure that the rear of the dehumidifier maintains a minimum spacing of 20 cm as shown below.



CLEANING

- **Body Cleaning**

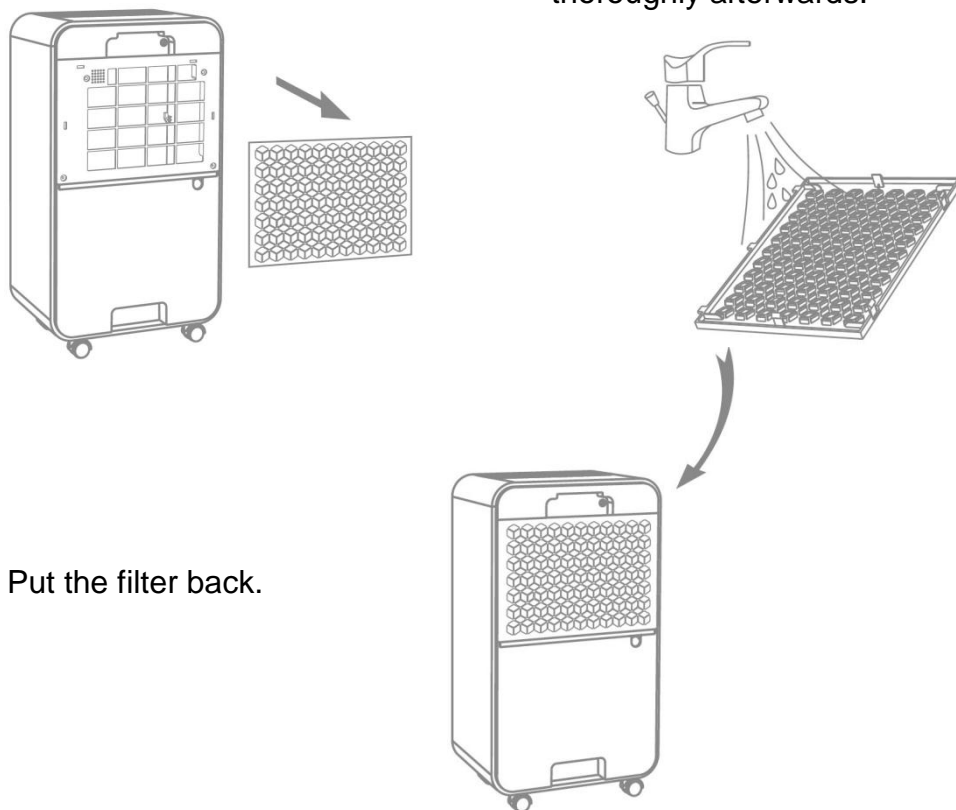
Use a soft and slightly moist cloth to clean the dehumidifier body.

- **Filter Cleaning**

1. Remove the filter frame and take off the filter.

2. Use a vacuum cleaner to gently absorb the dust on the surface.

If the filter is very dirty, wash it with water and a soft detergent and dry it thoroughly afterwards.



3. Put the filter back.

STORAGE

If the appliance is not used for a long time and you intend to store it, please:

1. Empty the water tank completely, wipe the water droplets inside the tank and dry.
2. Collect the power cord and store it in the dry water tank.
3. Clean the filter.
4. Place the machine in a cool and dry environment.

TROUBLE SHOOTING

1. FUNCTIONING TEMP.

41°F ≤ Ambient Temp. ≤ 95°F

When the ambient temp is lower or higher than the functioning temp, the dehumidifier stops operation.

When 41°F ≤ Ambient temp. ≤ 60.8°F, the compressor automatically defrosts at intervals; during defrosting, the compressor stops and the fan keeps running.

2. BEFORE CALLING FOR SERVICE

Before contacting professional service, please review the trouble shooting list that includes common occurrences that are not the result of a defect in workmanship or materials.

| Problem | Possible Cause | Solution |
|-------------------------|---|---|
| Not working | No power supply | Connect to a functioning outlet and switch on |
| | Water Full Indication Flashes | Drain water tank and reset it, or re-position the water tank to proper place |
| | Room temperature < 41°F, or > 95°F | Self-Protection designed to protect the unit. The unit cannot work under such temperature |
| Bad functioning | Is the air filter clogged? | Clean the air filter as instructed |
| | Is the intake duct or discharge duct obstructed? | Remove the obstruction from the discharge duct or intake duct. |
| No air intake | Is the filter clogged? | Wash the filter |
| Loud noise when running | Is the machine put in the flat place? | Put the machine on the flat ground |
| | Is the filter clogged? | Wash the filter |
| E2 | Humidity sensor problem | Change a sensor |
| LO | Environmental humidity is below 35% | The dehumidifier shuts down for self-protection |
| HI | Environmental humidity is above 95% | |
| CL | Low temperature protection, the environmental temperature < 41°F | |
| CH | High temperature protection, the environmental temperature > 95°F | |